

Historical Mapping Legends

Ordnance Survey County Series 1:10,560

Gravel Pit, **Sand Pit**, **Other Pits**
Quarry, **Shingle**, **Orchard**
Osiers, **Reeds**, **Marsh**
Mixed Wood, **Deciduous**, **Brushwood**
Fir, **Furze**, **Rough Pasture**
 Arrow denotes flow of water, Trigonometrical Station
 Site of Antiquities, Bench Mark
 Pump, Guide Post, Signal Post, Well, Spring, Boundary Post
-285 Surface Level
 Sketched Contour, Instrumental Contour
Main Roads (Fenced, Un-Fenced), **Minor Roads** (Fenced, Un-Fenced)
Sunken Road, **Raised Road**
Road over Railway, **Railway over River**
Railway over Road, **Level Crossing**
Road over River or Canal, **Road over Stream**
Road over Stream
 County Boundary (Geographical), County & Civil Parish Boundary
 Administrative County & Civil Parish Boundary
 County Borough Boundary (England), County Burgh Boundary (Scotland)
 Rural District Boundary, Civil Parish Boundary

Ordnance Survey Plan 1:10,000

Chalk Pit, Clay Pit or Quarry, **Gravel Pit**
Sand Pit, **Disused Pit or Quarry**
Refuse or Slag Heap, **Lake, Loch or Pond**
Dunes, **Boulders**
Coniferous Trees, **Non-Coniferous Trees**
Orchard, **Scrub**, **Coppice**
Bracken, **Heath**, **Rough Grassland**
Marsh, **Reeds**, **Saltings**
Building, **Glasshouse**
 Direction of Flow of Water, Shingle, Sand
Sloping Masonry, **Pylon**, **Electricity Transmission Line**, **Pole**
Cutting, **Embankment**, **Standard Gauge Multiple Track**, **Standard Gauge Single Track**, **Siding, Tramway or Mineral Line**, **Narrow Gauge**
 Road Under, Road Over, Level Crossing, Foot Bridge
Geographical County, **Administrative County, County Borough or County of City**, **Municipal Borough, Urban or Rural District, Burgh or District Council**, **Borough, Burgh or County Constituency** (Shown only when not coincident with other boundaries), **Civil Parish** (Shown alternately when coincidence of boundaries occurs)
BP, BS Boundary Post or Stone, **Pol Sta** Police Station, **Ch** Church, **PO** Post Office, **CH** Club House, **PC** Public Convenience, **F E Sta** Fire Engine Station, **PH** Public House, **FB** Foot Bridge, **SB** Signal Box, **Fn** Fountain, **Spr** Spring, **GP** Guide Post, **TCB** Telephone Call Box, **MP** Mile Post, **TCP** Telephone Call Post, **MS** Mile Stone, **W** Well

1:10,000 Raster Mapping

Gravel Pit, **Refuse tip or slag heap**
Rock, **Rock (scattered)**
Boulders, **Boulders (scattered)**
Shingle, **Mud**, **Mud**
Sand, **Sand Pit**
Slopes, **Top of cliff**
General detail, **Underground detail**
Overhead detail, **Narrow gauge railway**
Multi-track railway, **Single track railway**
County boundary (England only), **Civil, parish or community boundary**
District, Unitary, Metropolitan, London Borough boundary, **Constituency boundary**
Area of wooded vegetation, **Non-coniferous trees**
Non-coniferous trees (scattered), **Coniferous trees**
Coniferous trees (scattered), **Positioned tree**
Orchard, **Coppice or Osiers**
Rough Grassland, **Heath**
Scrub, **Marsh, Salt Marsh or Reeds**
Water feature, **Flow arrows**
MHW(S) Mean high water (springs), **MLW(S)** Mean low water (springs)
Telephone line (where shown), **Electricity transmission line (with poles)**
Bench mark (where shown), **Triangulation station**
Point feature (e.g. Guide Post or Mile Stone), **Pylon, flare stack or lighting tower**
Site of (antiquity), **Glasshouse**
General Building, **Important Building**

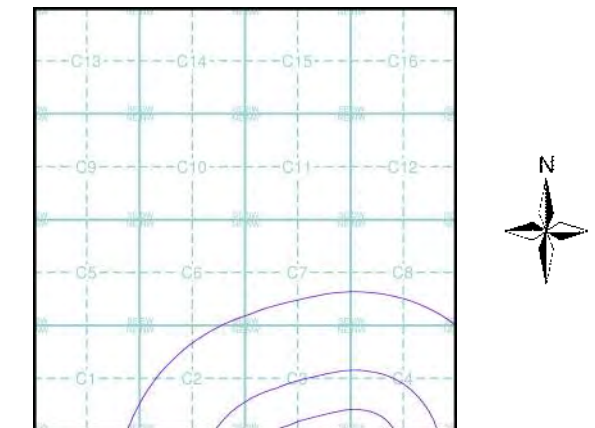
Envirocheck®

LANDMARK INFORMATION GROUP®

Historical Mapping & Photography included:

Mapping Type	Scale	Date	Pg
Lancashire And Furness	1:10,560	1848 - 1849	3
Lancashire And Furness	1:10,560	1894 - 1895	4
Lancashire And Furness	1:10,560	1912 - 1914	5
Lancashire And Furness	1:10,560	1931 - 1932	6
Lancashire And Furness	1:10,560	1938	7
Ordnance Survey Plan	1:10,000	1955 - 1956	8
Ordnance Survey Plan	1:10,000	1958	9
Ordnance Survey Plan	1:10,000	1962 - 1968	10
Ordnance Survey Plan	1:10,000	1968	11
Ordnance Survey Plan	1:10,000	1974	12
Preston	1:10,000	1976	13
Ordnance Survey Plan	1:10,000	1984 - 1988	14
Ordnance Survey Plan	1:10,000	1991	15
10K Raster Mapping	1:10,000	2001	16
10K Raster Mapping	1:10,000	2006	17
VectorMap Local	1:10,000	2021	18

Historical Map - Slice C



Order Details

Order Number: 289775268_1_1
 Customer Ref: WIE11556-107
 National Grid Reference: 355290, 425700
 Slice: C
 Site Area (Ha): 61.13
 Search Buffer (m): 1000

Site Details

Site at 355440, 424740

Landmark
 INFORMATION GROUP

Tel: 0844 844 9952
 Fax: 0844 844 9951
 Web: www.envirocheck.co.uk

Russian Military Mapping Legends

1:5,000 and 1:10,000 mapping

a. Not drawn to scale b. Drawn to scale

	Government and Administrative Buildings		Military and Industrial Buildings
	Military and Communication Areas		Subway Entrance
	Fireproof Building		Prominent Fireproof Building
	Non-fireproof Building		Non-fireproof Building (non-dwelling)
	Factory, mill, and flour mill, with chimneys		Factory, mill, and flour mill, without chimneys
	Power Station, drawn to scale		Hydroelectric Power Station
	Radio Station, drawn to scale		Telephone Station, drawn to scale
	Abandoned Open-pit Mine or Quarry		Open-pit Salt Mine
	Pit		Oil Deposit or Well
	Oil Seepage		Natural Gas Tank
	Tailings Pile		Fuel Storage Tanks
	Bench Mark		Drill Hole
	Burial Mound		Triangulation Point on Burial Mound
	Single-track Railroad		Double-track Railroad
	Small Bridge		Tunnel
	Pipe (Culvert)		Railroad and Station Building
	Coniferous Forest		Deciduous Forest
	Mixed Forest		Lawns
	Citrus Orchard		Wet Ground
	Scattered Vegetation		

243,8 Values for prominent elevations
186.0 Numbers for spot elevations, depth soundings, contour lines, etc.
0,2 Velocity of the current, width of river bed, depth of river
180/12 Fractional terms: length and capacity of bridges; depth of fords and condition of the river bottom; height of forest and the diameter of trees

Russian Alphabet (For reference and phonetic interpretation of map text)

А а (A)	З з (Z)	П п (P)	Ч ч (CH)
Б б (B)	И и (I)	Р р (R)	Ш ш (SH)
В в (V)	Й й (Y)	С с (S)	Щ щ (SHCH)
Г г (G)	К к (K)	Т т (T)	Ъ (-)
Д д (D)	Л л (L)	У у (U)	Ы (Y)
Е е (E)	М м (M)	Ф ф (F)	Ь (')
Ё ё (YO)	Н н (N)	Х х (KH)	Э э (E)
Ж ж (ZH)	О о (O)	Ц ц (TS)	Ю ю (YU or IU)
			Я я (YA or IA)

1:25,000 mapping

a. Not drawn to scale b. Drawn to scale

	Government and Administrative Buildings		Military and Industrial Buildings
	Military and Communication Areas		Subway Entrance
	Partly Demolished Buildings		Demolished Buildings
	Built-Up Area with Fireproof Buildings Predominant		Built-Up Area with Non-Fireproof Buildings Predominant
	Individual Fireproof Building		Prominent Industrial Building
	Individual Dwelling, Fireproof		Ruins of an Individual Dwelling
	Factory or Mill Chimney		Factory or Mill with Chimney
	Factory or Mill without Chimney		Mine or Open Pit Mine
	Operating Shaft or Mine		Non-Operating Shaft or Mine
	Salt Mine		Tailings Pile
	Pit		Stone Quarry
	Gas Pump or Service Station		Fuel Storage or Natural Gas Tank
	Oil or Natural Gas Derrick		Small Hydroelectric Power Station
	Power Station		Transformer Station
	Cemetery		Burial Mound (height in metres)
	Triangulation Point on Burial Mound		Triangulation Point
	Bench Mark		Bench Mark (monumented)
	Telegraph Office		Telephone Station
	Radio Station		Radio Tower
	Airfield or Seaplane Base		Landing Strip
	Cut		Fill
	Km Post		Plantings
	Telegraph/Telephone Lines		Main Highway
	Highway under Construction		Improved Dirt Road (former truck road)
	Small Bridge		Pipe (Culvert)
	Tunnel		Dismantled Railroad
	Double-track Railroad with First Class Station		Railroad Under Construction
	Shore Embankment		River or Ditch with Embankment
	Water Reservoir or Rain Water Pit		Spring
	Well		Isobath with value
	Heavy (Index) Contour Line		Half Contour Line
	Contour Line and Value		Spot Elevation Value
	Coniferous		Deciduous
	Mixed		Scrub

Key to Numbers on Mapping

SD52NE_Preston

No.	Description
12	Factory (Metal Works)

SD52NW_Preston

No.	Description
47	Railway Station (Freight)

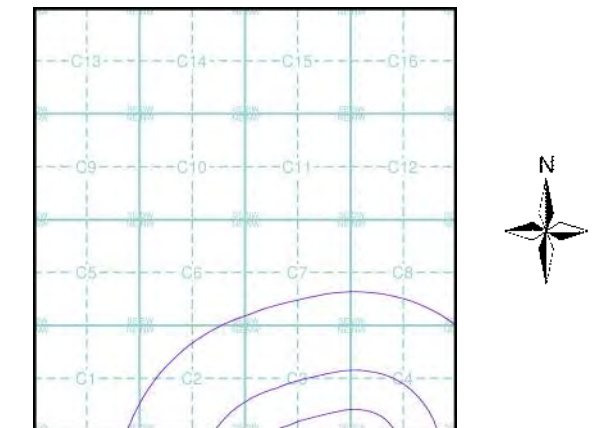
Envirocheck

LANDMARK INFORMATION GROUP

Historical Mapping & Photography included:

Mapping Type	Scale	Date	Pg
Lancashire And Furness	1:10,560	1848 - 1849	3
Lancashire And Furness	1:10,560	1894 - 1895	4
Lancashire And Furness	1:10,560	1912 - 1914	5
Lancashire And Furness	1:10,560	1931 - 1932	6
Lancashire And Furness	1:10,560	1938	7
Ordnance Survey Plan	1:10,000	1955 - 1956	8
Ordnance Survey Plan	1:10,000	1958	9
Ordnance Survey Plan	1:10,000	1962 - 1968	10
Ordnance Survey Plan	1:10,000	1968	11
Ordnance Survey Plan	1:10,000	1974	12
Ordnance Survey Plan	1:10,000	1976	13
Ordnance Survey Plan	1:10,000	1984 - 1988	14
Ordnance Survey Plan	1:10,000	1991	15
10K Raster Mapping	1:10,000	2001	16
10K Raster Mapping	1:10,000	2006	17
VectorMap Local	1:10,000	2021	18

Russian Map - Slice C



Order Details

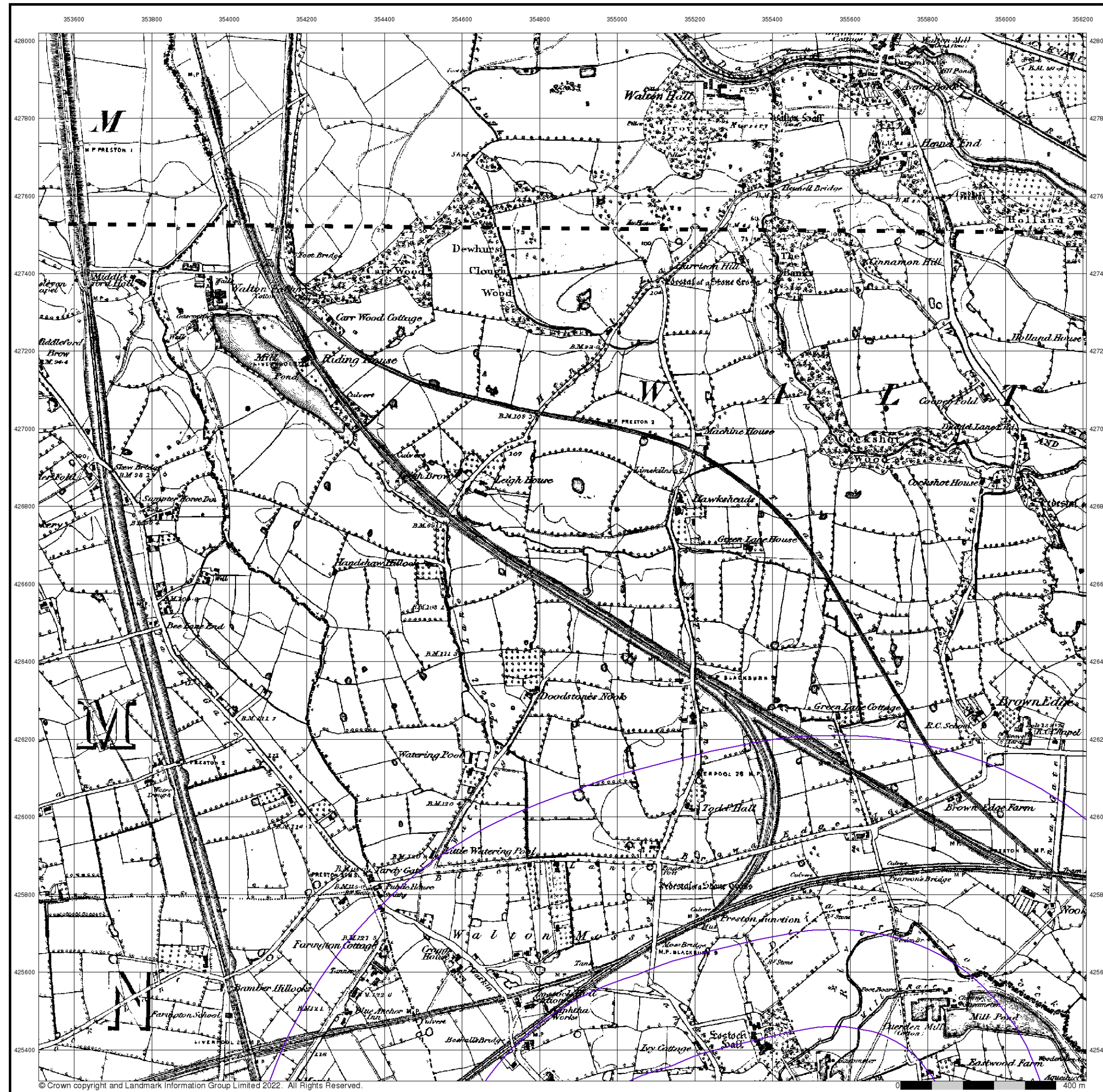
Order Number: 289775268_1_1
 Customer Ref: WIE11556-107
 National Grid Reference: 355290, 425700
 Slice: C
 Site Area (Ha): 61.13
 Search Buffer (m): 1000

Site Details

Site at 355440, 424740

Landmark
 INFORMATION GROUP

Tel: 0844 844 9952
 Fax: 0844 844 9951
 Web: www.envirocheck.co.uk



Lancashire And Furness

Published 1848 - 1849

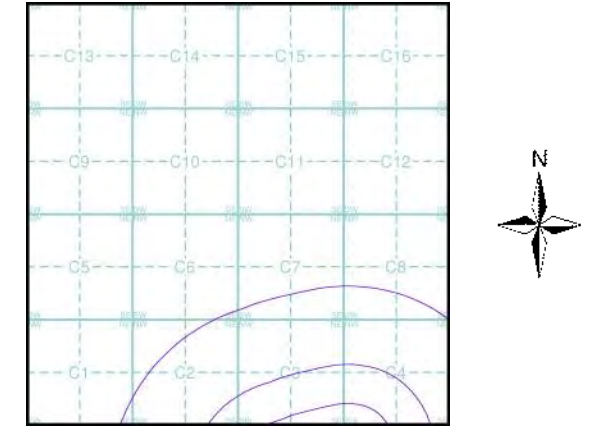
Source map scale - 1:10,560

The historical maps shown were reproduced from maps predominantly held at the scale adopted for England, Wales and Scotland in the 1840's. In 1854 the 1:2,500 scale was adopted for mapping urban areas; these maps were used to update the 1:10,560 maps. The published date given therefore is often some years later than the surveyed date. Before 1938, all OS maps were based on the Cassini Projection, with independent surveys of a single county or group of counties, giving rise to significant inaccuracies in outlying areas. In the late 1940's, a Provisional Edition was produced, which updated the 1:10,560 mapping from a number of sources. The maps appear unfinished - with all military camps and other strategic sites removed. These maps were initially overprinted with the National Grid. In 1970, the first 1:10,000 maps were produced using the Transverse Mercator Projection. The revision process continued until recently, with new editions appearing every 10 years or so for urban areas.

Map Name(s) and Date(s)

06100	1849	1:10,560
06900	1848	1:10,560

Historical Map - Slice C

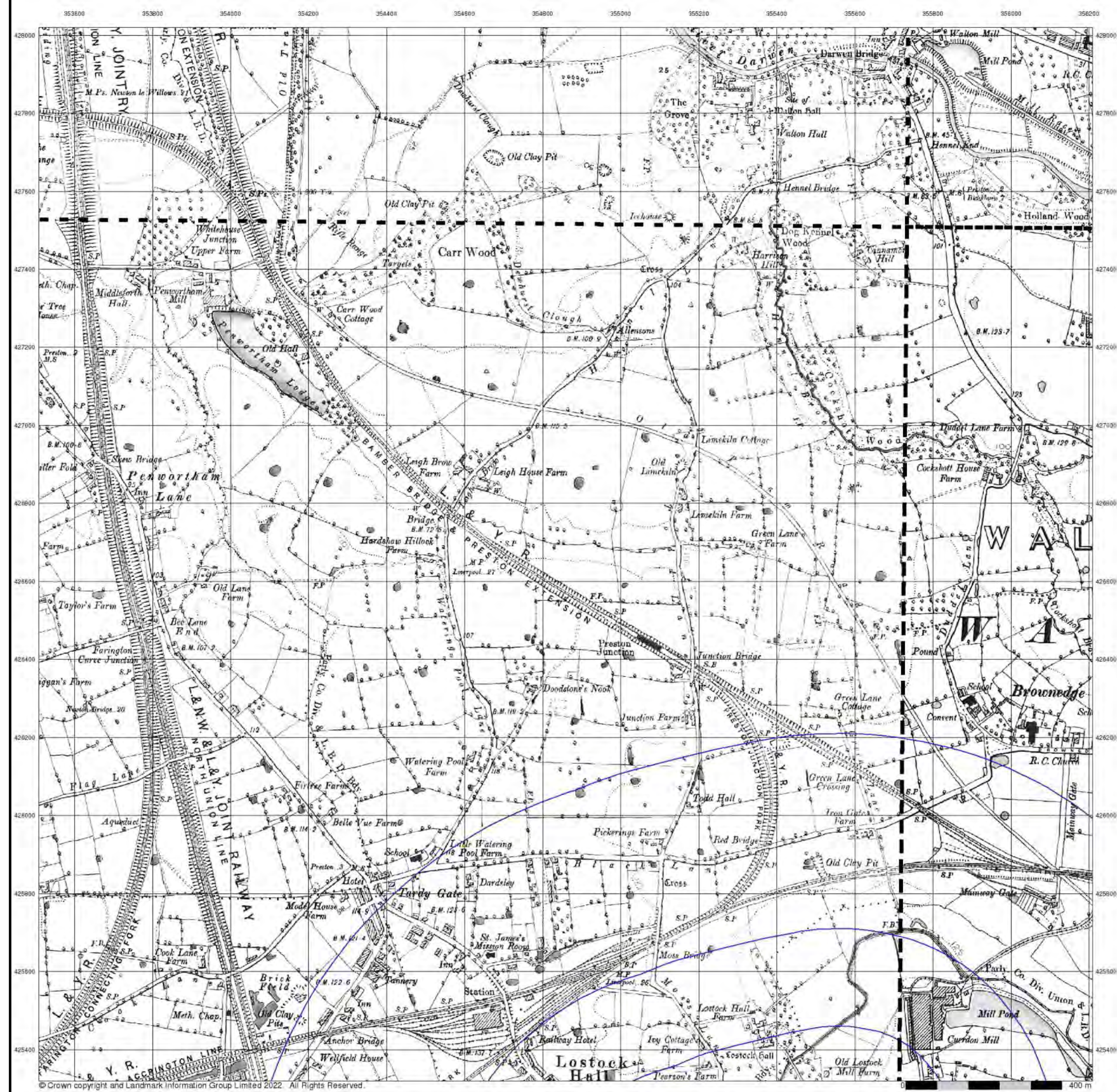


Order Details

Order Number: 289775268_1_1
 Customer Ref: WIE11556-107
 National Grid Reference: 355290, 425700
 Slice: C
 Site Area (Ha): 61.13
 Search Buffer (m): 1000

Site Details

Site at 355440, 424740



Lancashire And Furness

Published 1894 - 1895

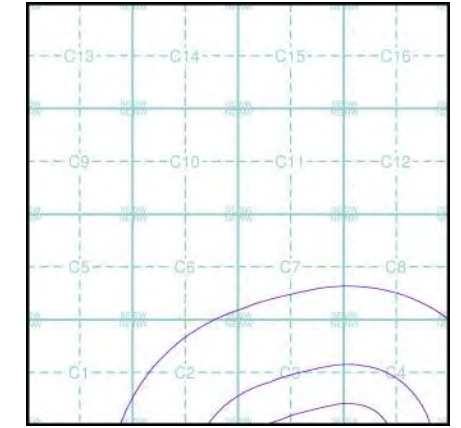
Source map scale - 1:10,560

The historical maps shown were reproduced from maps predominantly held at the scale adopted for England, Wales and Scotland in the 1840's. In 1854 the 1:2,500 scale was adopted for mapping urban areas; these maps were used to update the 1:10,560 maps. The published date given therefore is often some years later than the surveyed date. Before 1938, all OS maps were based on the Cassini Projection, with independent surveys of a single county or group of counties, giving rise to significant inaccuracies in outlying areas. In the late 1940's, a Provisional Edition was produced, which updated the 1:10,560 mapping from a number of sources. The maps appear unfinished - with all military camps and other strategic sites removed. These maps were initially overprinted with the National Grid. In 1970, the first 1:10,000 maps were produced using the Transverse Mercator Projection. The revision process continued until recently, with new editions appearing every 10 years or so for urban areas.

Map Name(s) and Date(s)

061SW 1895 1:10,560	061SE 1895 1:10,560
069NW 1894 1:10,560	069NE 1895 1:10,560

Historical Map - Slice C



Order Details

Order Number: 289775268_1_1
 Customer Ref: WIE11556-107
 National Grid Reference: 355290, 425700
 Slice: C
 Site Area (Ha): 61.13
 Search Buffer (m): 1000

Site Details

Site at 355440, 424740

Lancashire And Furness

Published 1912 - 1914

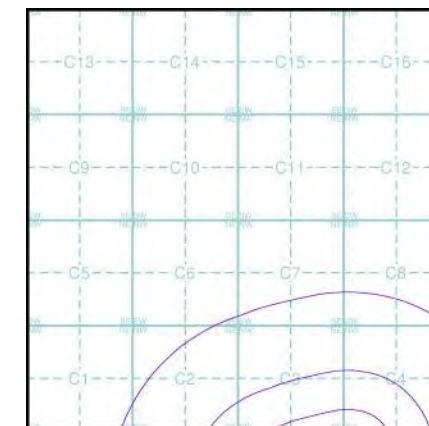
Source map scale - 1:10,560

The historical maps shown were reproduced from maps predominantly held at the scale adopted for England, Wales and Scotland in the 1840's. In 1854 the 1:2,500 scale was adopted for mapping urban areas; these maps were used to update the 1:10,560 maps. The published date given therefore is often some years later than the surveyed date. Before 1938, all OS maps were based on the Cassini Projection, with independent surveys of a single county or group of counties, giving rise to significant inaccuracies in outlying areas. In the late 1940's, a Provisional Edition was produced, which updated the 1:10,560 mapping from a number of sources. The maps appear unfinished - with all military camps and other strategic sites removed. These maps were initially overprinted with the National Grid. In 1970, the first 1:10,000 maps were produced using the Transverse Mercator Projection. The revision process continued until recently, with new editions appearing every 10 years or so for urban areas.

Map Name(s) and Date(s)

061SW 1913 1:10,560	061SE 1913 1:10,560
069NW 1912 1:10,560	069NE 1914 1:10,560

Historical Map - Slice C

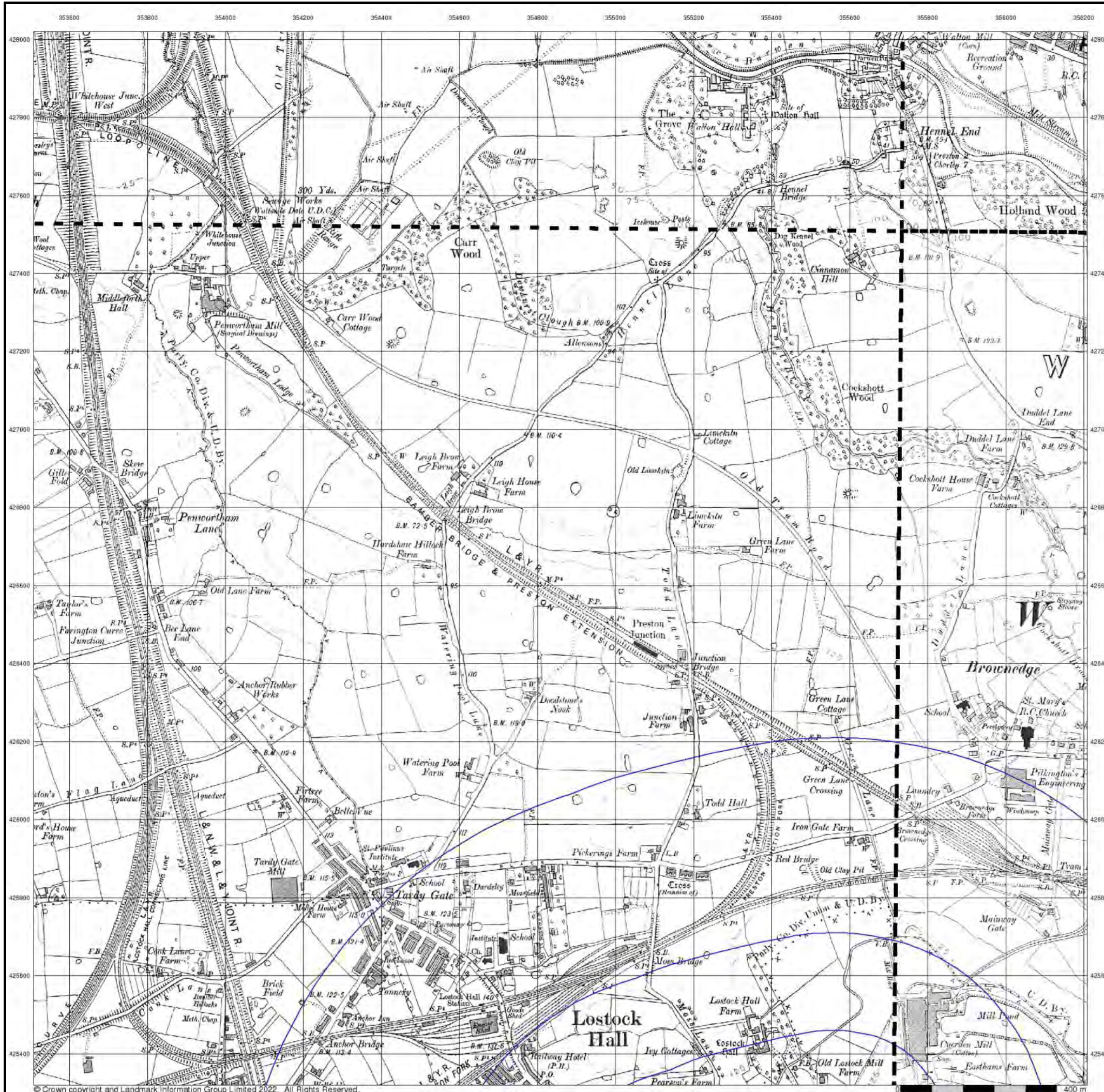


Order Details

Order Number: 289775268_1_1
 Customer Ref: WIE11556-107
 National Grid Reference: 355290, 425700
 Slice: C
 Site Area (Ha): 61.13
 Search Buffer (m): 1000

Site Details

Site at 355440, 424740



Lancashire And Furness

Published 1931 - 1932

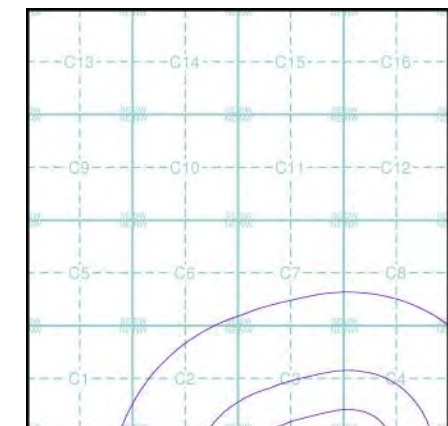
Source map scale - 1:10,560

The historical maps shown were reproduced from maps predominantly held at the scale adopted for England, Wales and Scotland in the 1840's. In 1854 the 1:2,500 scale was adopted for mapping urban areas; these maps were used to update the 1:10,560 maps. The published date given therefore is often some years later than the surveyed date. Before 1938, all OS maps were based on the Cassini Projection, with independent surveys of a single county or group of counties, giving rise to significant inaccuracies in outlying areas. In the late 1940's, a Provisional Edition was produced, which updated the 1:10,560 mapping from a number of sources. The maps appear unfinished - with all military camps and other strategic sites removed. These maps were initially overprinted with the National Grid. In 1970, the first 1:10,000 maps were produced using the Transverse Mercator Projection. The revision process continued until recently, with new editions appearing every 10 years or so for urban areas.

Map Name(s) and Date(s)

061SW 1932 1:10,560	061SE 1932 1:10,560
069NW 1931 1:10,560	069NE 1932 1:10,560

Historical Map - Slice C

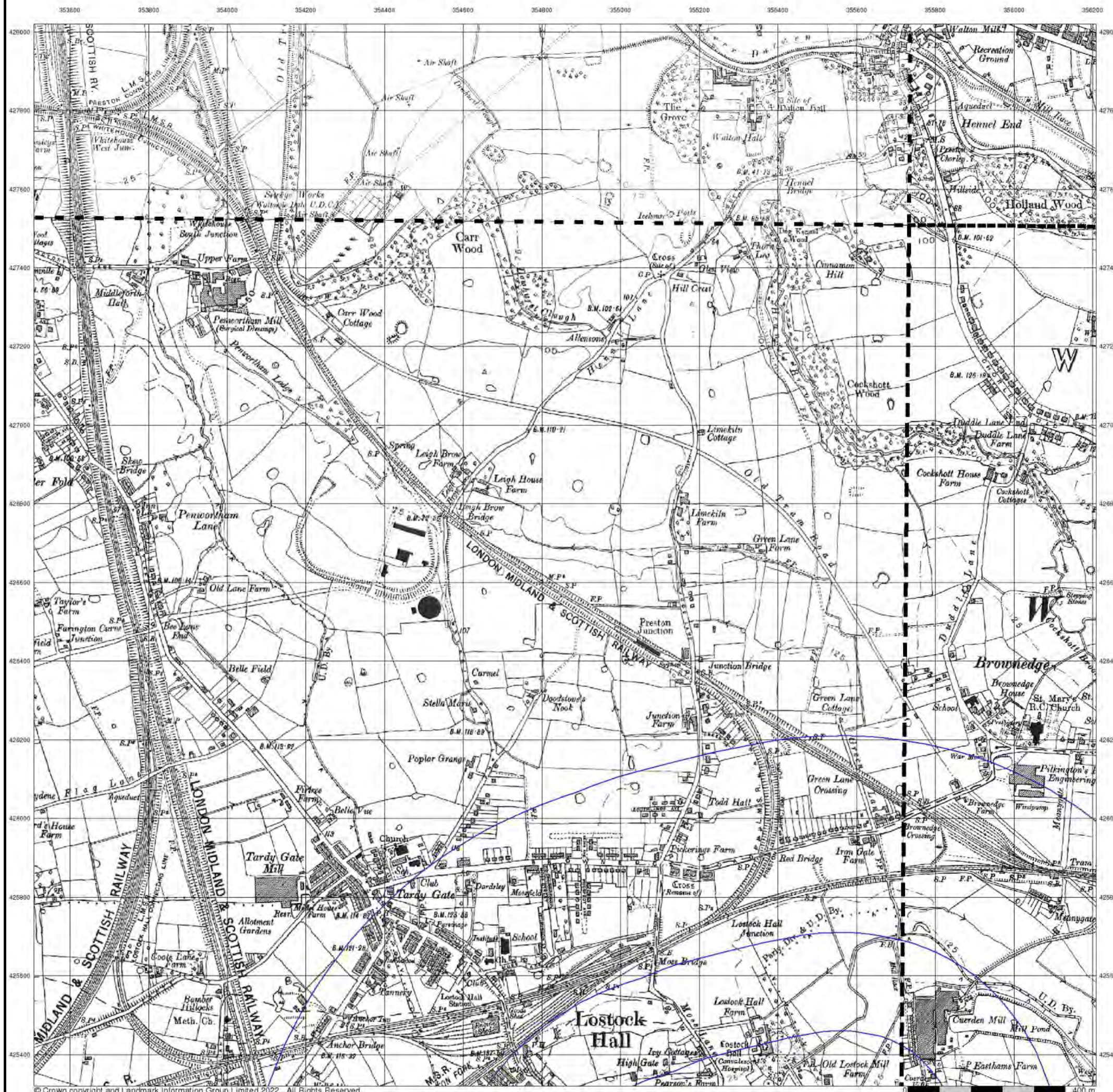


Order Details

Order Number: 289775268_1_1
 Customer Ref: WIE11556-107
 National Grid Reference: 355290, 425700
 Slice: C
 Site Area (Ha): 61.13
 Search Buffer (m): 1000

Site Details

Site at 355440, 424740



Lancashire And Furness

Published 1938

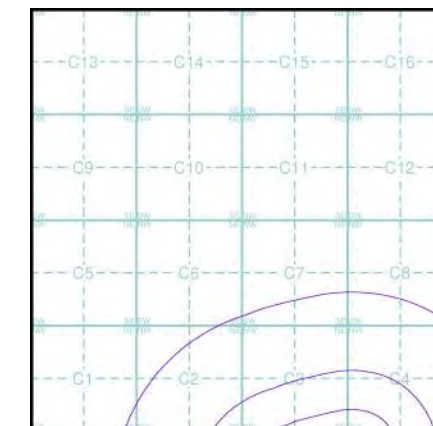
Source map scale - 1:10,560

The historical maps shown were reproduced from maps predominantly held at the scale adopted for England, Wales and Scotland in the 1840's. In 1854 the 1:2,500 scale was adopted for mapping urban areas; these maps were used to update the 1:10,560 maps. The published date given therefore is often some years later than the surveyed date. Before 1938, all OS maps were based on the Cassini Projection, with independent surveys of a single county or group of counties, giving rise to significant inaccuracies in outlying areas. In the late 1940's, a Provisional Edition was produced, which updated the 1:10,560 mapping from a number of sources. The maps appear unfinished - with all military camps and other strategic sites removed. These maps were initially overprinted with the National Grid. In 1970, the first 1:10,000 maps were produced using the Transverse Mercator Projection. The revision process continued until recently, with new editions appearing every 10 years or so for urban areas.

Map Name(s) and Date(s)

061SW 1938 1:10,560	061SE 1938 1:10,560
069NW 1938 1:10,560	069NE 1938 1:10,560

Historical Map - Slice C

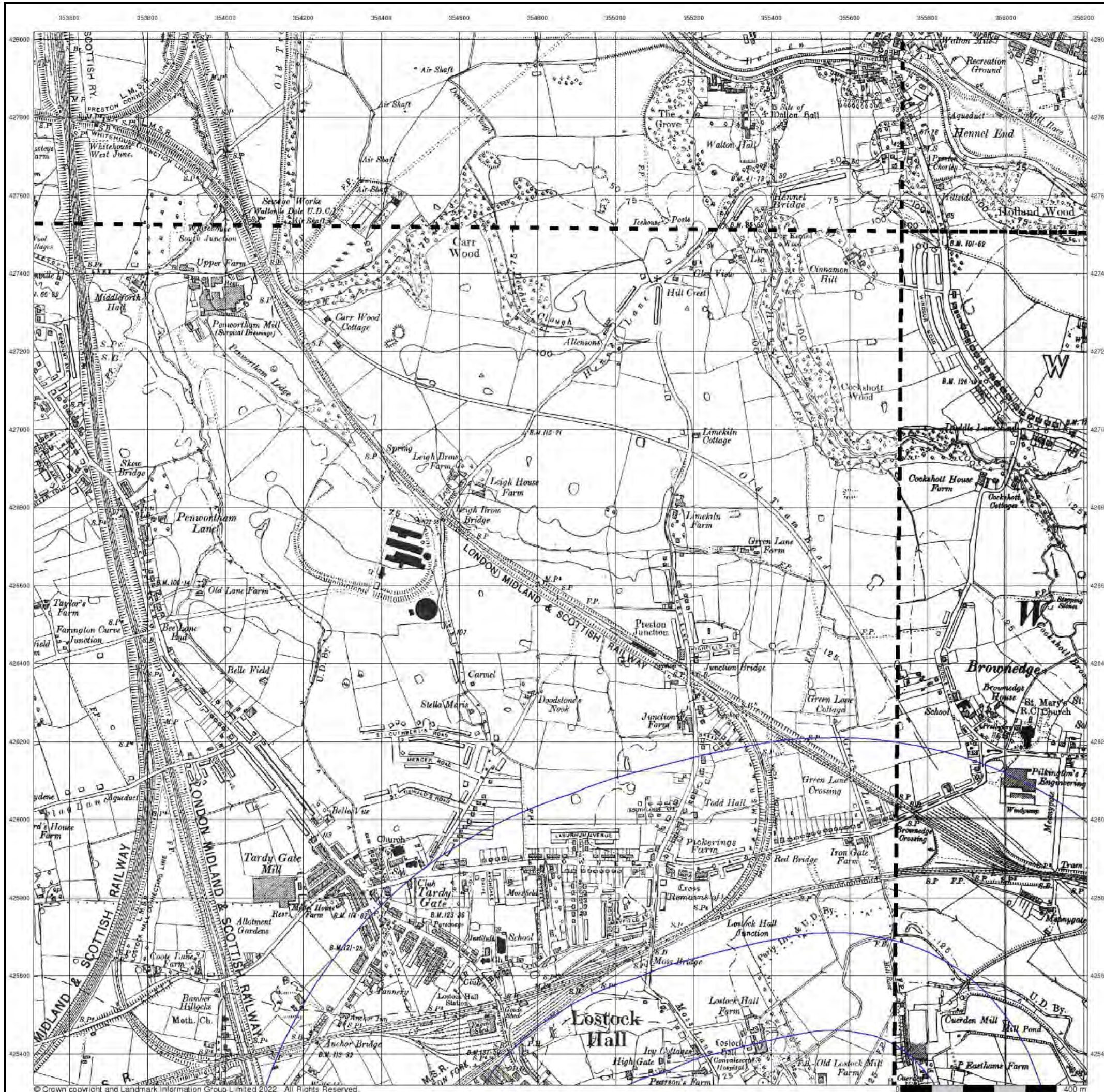


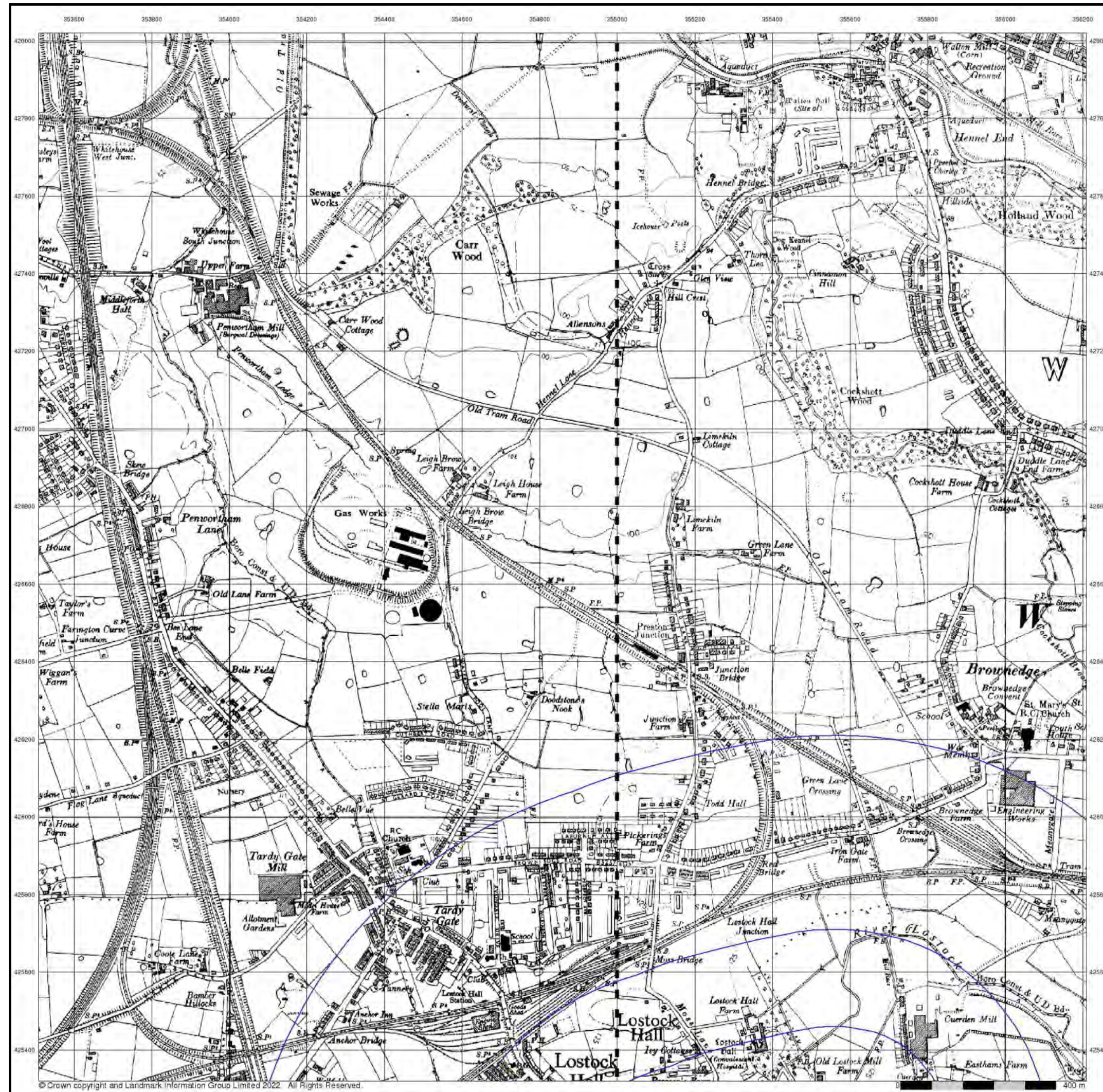
Order Details

Order Number: 289775268_1_1
 Customer Ref: WIE11556-107
 National Grid Reference: 355290, 425700
 Slice: C
 Site Area (Ha): 61.13
 Search Buffer (m): 1000

Site Details

Site at 355440, 424740





Envirocheck

LANDMARK INFORMATION GROUP

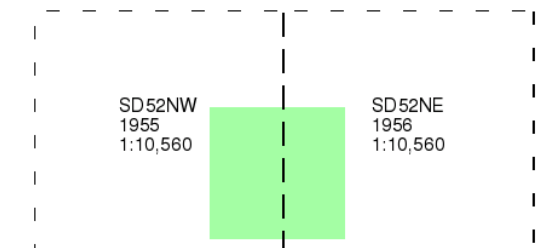
Ordnance Survey Plan

Published 1955 - 1956

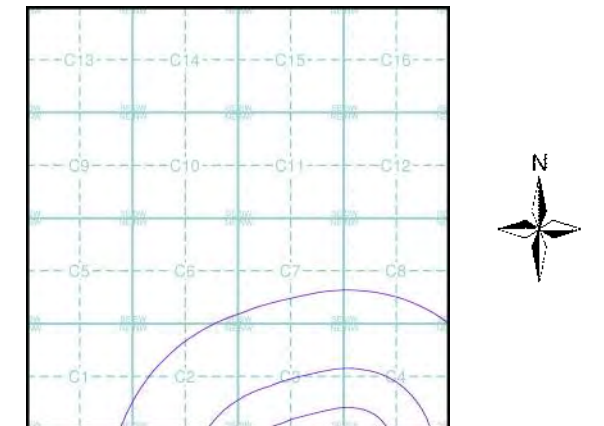
Source map scale - 1:10,000

The historical maps shown were reproduced from maps predominantly held at the scale adopted for England, Wales and Scotland in the 1840's. In 1854 the 1:2,500 scale was adopted for mapping urban areas; these maps were used to update the 1:10,560 maps. The published date given therefore is often some years later than the surveyed date. Before 1938, all OS maps were based on the Cassini Projection, with independent surveys of a single county or group of counties, giving rise to significant inaccuracies in outlying areas. In the late 1940's, a Provisional Edition was produced, which updated the 1:10,560 mapping from a number of sources. The maps appear unfinished - with all military camps and other strategic sites removed. These maps were initially overprinted with the National Grid. In 1970, the first 1:10,000 maps were produced using the Transverse Mercator Projection. The revision process continued until recently, with new editions appearing every 10 years or so for urban areas.

Map Name(s) and Date(s)



Historical Map - Slice C



Order Details

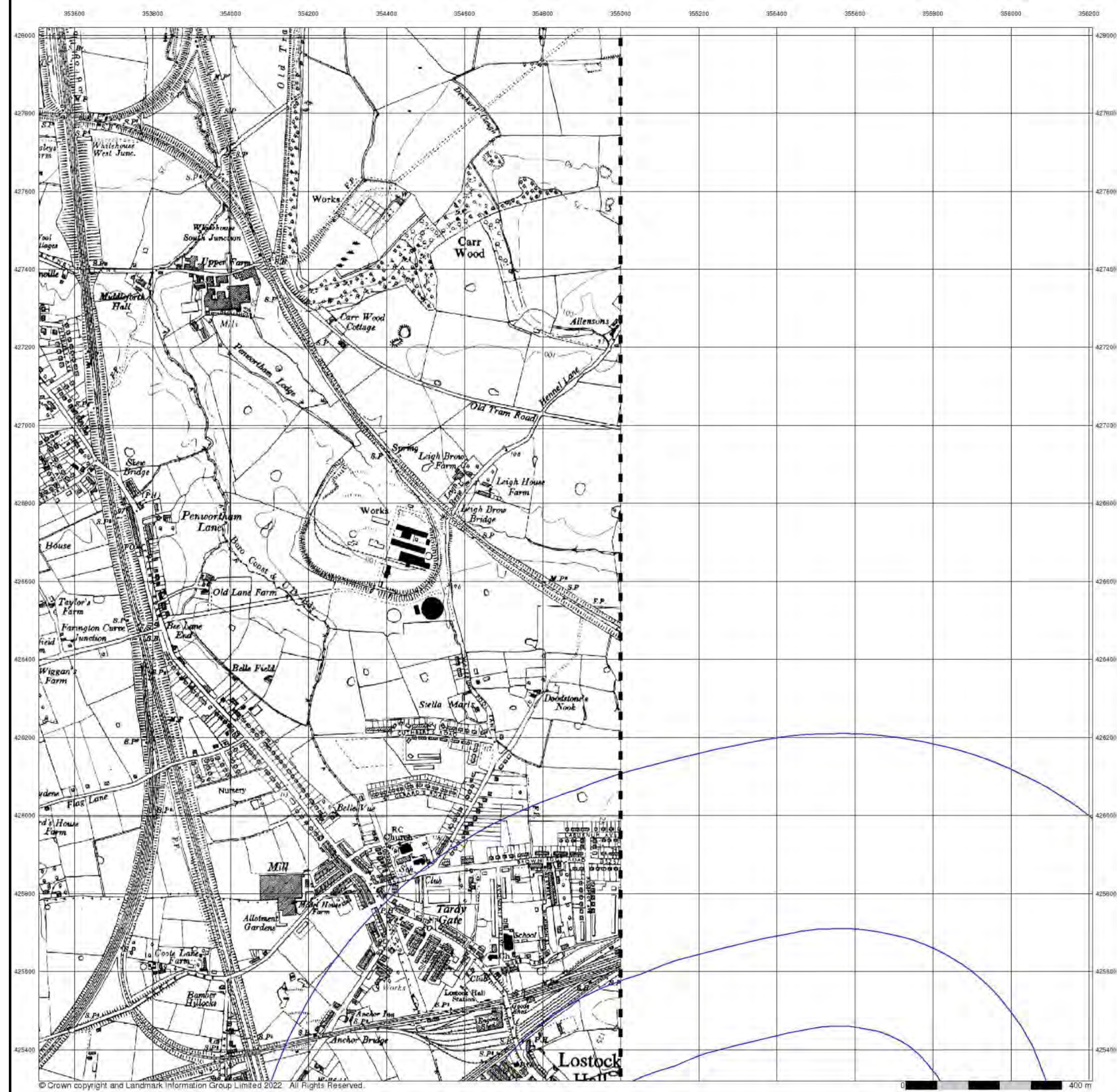
Order Number: 289775268_1_1
 Customer Ref: WIE11556-107
 National Grid Reference: 355290, 425700
 Slice: C
 Site Area (Ha): 61.13
 Search Buffer (m): 1000

Site Details

Site at 355440, 424740

Landmark
 INFORMATION GROUP

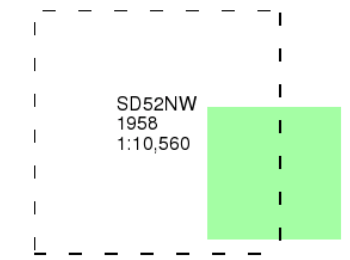
Tel: 0844 844 9952
 Fax: 0844 844 9951
 Web: www.envirocheck.co.uk



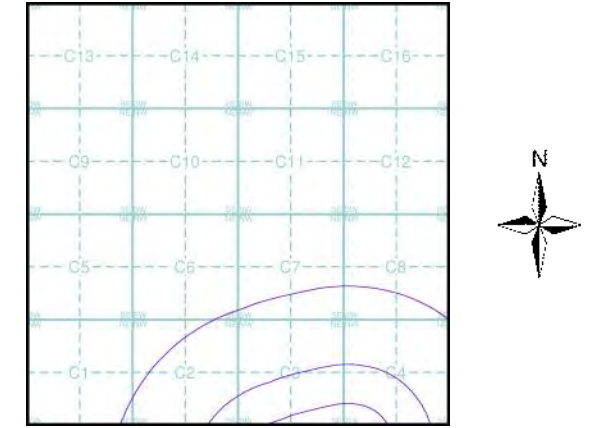
Ordnance Survey Plan Published 1958 Source map scale - 1:10,000

The historical maps shown were reproduced from maps predominantly held at the scale adopted for England, Wales and Scotland in the 1840's. In 1854 the 1:2,500 scale was adopted for mapping urban areas; these maps were used to update the 1:10,560 maps. The published date given therefore is often some years later than the surveyed date. Before 1938, all OS maps were based on the Cassini Projection, with independent surveys of a single county or group of counties, giving rise to significant inaccuracies in outlying areas. In the late 1940's, a Provisional Edition was produced, which updated the 1:10,560 mapping from a number of sources. The maps appear unfinished - with all military camps and other strategic sites removed. These maps were initially overprinted with the National Grid. In 1970, the first 1:10,000 maps were produced using the Transverse Mercator Projection. The revision process continued until recently, with new editions appearing every 10 years or so for urban areas.

Map Name(s) and Date(s)



Historical Map - Slice C



Order Details
 Order Number: 289775268_1_1
 Customer Ref: WIE11556-107
 National Grid Reference: 355290, 425700
 Slice: C
 Site Area (Ha): 61.13
 Search Buffer (m): 1000

Site Details
 Site at 355440, 424740



© Crown copyright and Landmark Information Group Limited 2022. All Rights Reserved.

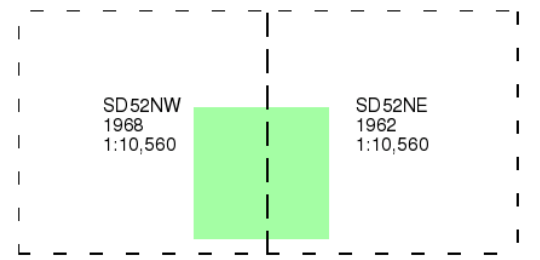
Envirocheck[®]

LANDMARK INFORMATION GROUP[®]

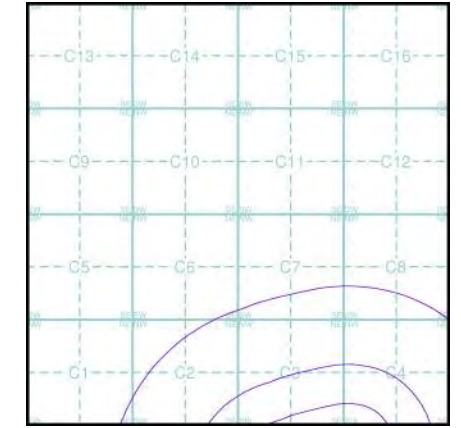
Ordnance Survey Plan
Published 1962 - 1968
Source map scale - 1:10,000

The historical maps shown were reproduced from maps predominantly held at the scale adopted for England, Wales and Scotland in the 1840's. In 1854 the 1:2,500 scale was adopted for mapping urban areas; these maps were used to update the 1:10,560 maps. The published date given therefore is often some years later than the surveyed date. Before 1938, all OS maps were based on the Cassini Projection, with independent surveys of a single county or group of counties, giving rise to significant inaccuracies in outlying areas. In the late 1940's, a Provisional Edition was produced, which updated the 1:10,560 mapping from a number of sources. The maps appear unfinished - with all military camps and other strategic sites removed. These maps were initially overprinted with the National Grid. In 1970, the first 1:10,000 maps were produced using the Transverse Mercator Projection. The revision process continued until recently, with new editions appearing every 10 years or so for urban areas.

Map Name(s) and Date(s)



Historical Map - Slice C



Order Details

Order Number: 289775268_1_1
 Customer Ref: WIE11556-107
 National Grid Reference: 355290, 425700
 Slice: C
 Site Area (Ha): 61.13
 Search Buffer (m): 1000

Site Details

Site at 355440, 424740

Landmark[®]
 INFORMATION GROUP

Tel: 0844 844 9952
 Fax: 0844 844 9951
 Web: www.envirocheck.co.uk



© Crown copyright and Landmark Information Group Limited 2022. All Rights Reserved.

Envirocheck®

LANDMARK INFORMATION GROUP®

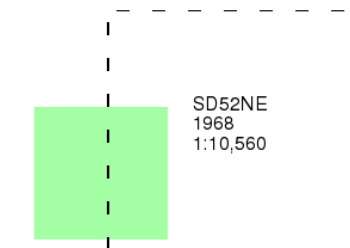
Ordnance Survey Plan

Published 1968

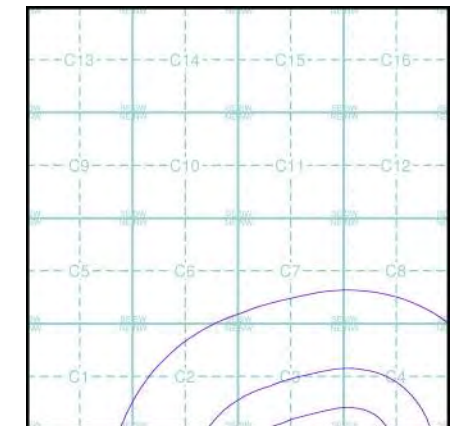
Source map scale - 1:10,000

The historical maps shown were reproduced from maps predominantly held at the scale adopted for England, Wales and Scotland in the 1840's. In 1854 the 1:2,500 scale was adopted for mapping urban areas; these maps were used to update the 1:10,560 maps. The published date given therefore is often some years later than the surveyed date. Before 1938, all OS maps were based on the Cassini Projection, with independent surveys of a single county or group of counties, giving rise to significant inaccuracies in outlying areas. In the late 1940's, a Provisional Edition was produced, which updated the 1:10,560 mapping from a number of sources. The maps appear unfinished - with all military camps and other strategic sites removed. These maps were initially overprinted with the National Grid. In 1970, the first 1:10,000 maps were produced using the Transverse Mercator Projection. The revision process continued until recently, with new editions appearing every 10 years or so for urban areas.

Map Name(s) and Date(s)



Historical Map - Slice C



Order Details

Order Number: 289775268_1_1
 Customer Ref: WIE11556-107
 National Grid Reference: 355290, 425700
 Slice: C
 Site Area (Ha): 61.13
 Search Buffer (m): 1000

Site Details

Site at 355440, 424740

Landmark
 INFORMATION GROUP

Tel: 0844 844 9952
 Fax: 0844 844 9951
 Web: www.envirocheck.co.uk



© Crown copyright and Landmark Information Group Limited 2022. All Rights Reserved.

Envirocheck®

LANDMARK INFORMATION GROUP®

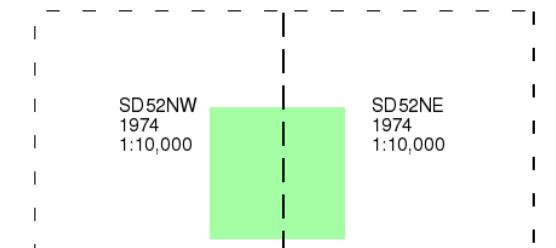
Ordnance Survey Plan

Published 1974

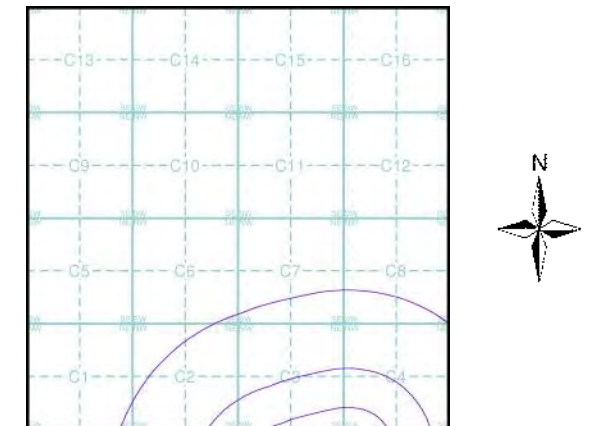
Source map scale - 1:10,000

The historical maps shown were reproduced from maps predominantly held at the scale adopted for England, Wales and Scotland in the 1840's. In 1854 the 1:2,500 scale was adopted for mapping urban areas; these maps were used to update the 1:10,560 maps. The published date given therefore is often some years later than the surveyed date. Before 1938, all OS maps were based on the Cassini Projection, with independent surveys of a single county or group of counties, giving rise to significant inaccuracies in outlying areas. In the late 1940's, a Provisional Edition was produced, which updated the 1:10,560 mapping from a number of sources. The maps appear unfinished - with all military camps and other strategic sites removed. These maps were initially overprinted with the National Grid. In 1970, the first 1:10,000 maps were produced using the Transverse Mercator Projection. The revision process continued until recently, with new editions appearing every 10 years or so for urban areas.

Map Name(s) and Date(s)



Historical Map - Slice C



Order Details

Order Number: 289775268_1_1
 Customer Ref: WIE11556-107
 National Grid Reference: 355290, 425700
 Slice: C
 Site Area (Ha): 61.13
 Search Buffer (m): 1000

Site Details

Site at 355440, 424740

Landmark
 INFORMATION GROUP

Tel: 0844 844 9952
 Fax: 0844 844 9951
 Web: www.envirocheck.co.uk



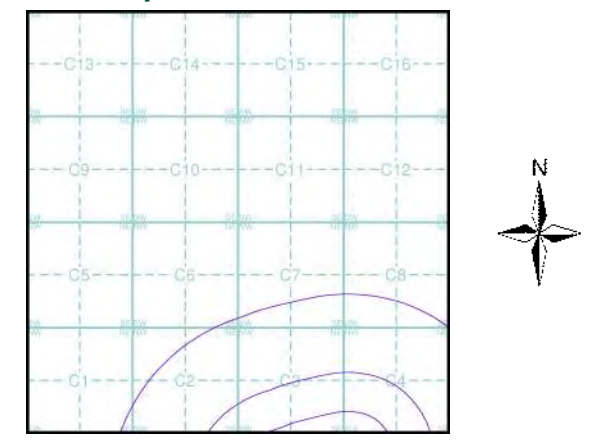
Preston
Published 1976
Source map scale - 1:10,000

These maps were produced by the Russian military during the Cold War between 1950 and 1997, and cover 103 towns and cities throughout the U.K. The maps are produced at 1:25,000, 1:10,000 and 1:5,000 scale, and show detailed land use, with colour-coded areas for development, green areas, and non-developed areas. Buildings are coloured black and important building uses (such as hospitals, post offices, factories etc.) are numbered, with a numbered key describing their use. They were produced by the Russians for the benefit of navigation, as well as strategic military sites and transport hubs, for use if they were to have invaded the U.K. The detailed information provided indicates that the areas were surveyed using land-based personnel, on the ground, in the cities that are mapped.

Map Name(s) and Date(s)

SD52NW 1976 1:10,000		SD52NE 1976 1:10,000
----------------------------	--	----------------------------

Russian Map - Slice C



Order Details

Order Number: 289775268_1_1
 Customer Ref: WIE11556-107
 National Grid Reference: 355290, 425700
 Slice: C
 Site Area (Ha): 61.13
 Search Buffer (m): 1000

Site Details

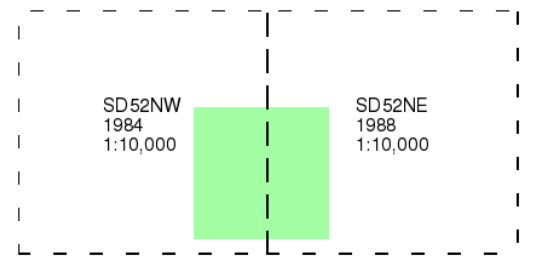
Site at 355440, 424740



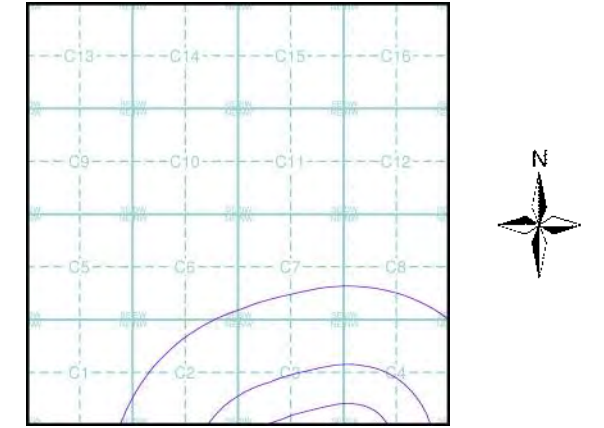
Ordnance Survey Plan Published 1984 - 1988 Source map scale - 1:10,000

The historical maps shown were reproduced from maps predominantly held at the scale adopted for England, Wales and Scotland in the 1840's. In 1854 the 1:2,500 scale was adopted for mapping urban areas; these maps were used to update the 1:10,560 maps. The published date given therefore is often some years later than the surveyed date. Before 1938, all OS maps were based on the Cassini Projection, with independent surveys of a single county or group of counties, giving rise to significant inaccuracies in outlying areas. In the late 1940's, a Provisional Edition was produced, which updated the 1:10,560 mapping from a number of sources. The maps appear unfinished - with all military camps and other strategic sites removed. These maps were initially overprinted with the National Grid. In 1970, the first 1:10,000 maps were produced using the Transverse Mercator Projection. The revision process continued until recently, with new editions appearing every 10 years or so for urban areas.

Map Name(s) and Date(s)



Historical Map - Slice C



Order Details
 Order Number: 289775268_1_1
 Customer Ref: WIE11556-107
 National Grid Reference: 355290, 425700
 Slice: C
 Site Area (Ha): 61.13
 Search Buffer (m): 1000

Site Details
 Site at 355440, 424740

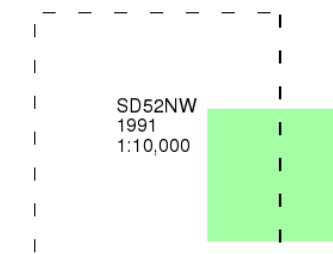
Ordnance Survey Plan

Published 1991

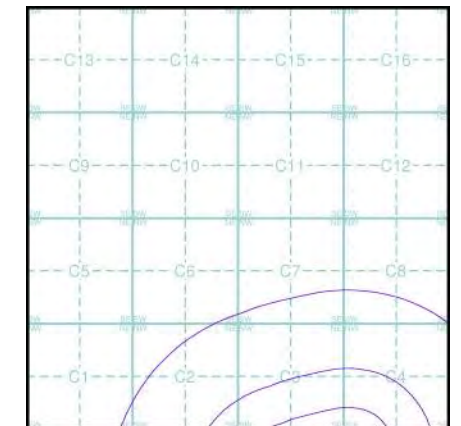
Source map scale - 1:10,000

The historical maps shown were reproduced from maps predominantly held at the scale adopted for England, Wales and Scotland in the 1840's. In 1854 the 1:2,500 scale was adopted for mapping urban areas; these maps were used to update the 1:10,560 maps. The published date given therefore is often some years later than the surveyed date. Before 1938, all OS maps were based on the Cassini Projection, with independent surveys of a single county or group of counties, giving rise to significant inaccuracies in outlying areas. In the late 1940's, a Provisional Edition was produced, which updated the 1:10,560 mapping from a number of sources. The maps appear unfinished - with all military camps and other strategic sites removed. These maps were initially overprinted with the National Grid. In 1970, the first 1:10,000 maps were produced using the Transverse Mercator Projection. The revision process continued until recently, with new editions appearing every 10 years or so for urban areas.

Map Name(s) and Date(s)



Historical Map - Slice C



Order Details

Order Number: 289775268_1_1
Customer Ref: WIE11556-107
National Grid Reference: 355290, 425700
Slice: C
Site Area (Ha): 61.13
Search Buffer (m): 1000

Site Details

Site at 355440, 424740



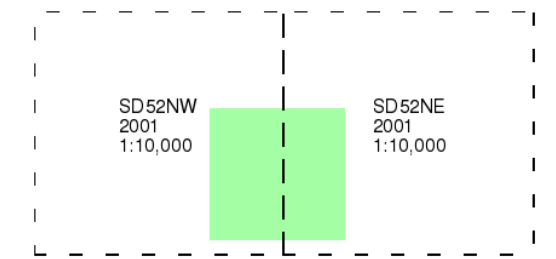
10k Raster Mapping

Published 2001

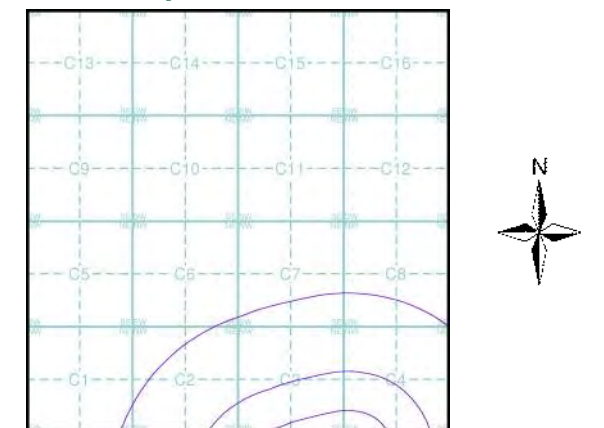
Source map scale - 1:10,000

The historical maps shown were produced from the Ordnance Survey's 1:10,000 colour raster mapping. These maps are derived from Landplan which replaced the old 1:10,000 maps originally published in 1970. The data is highly detailed showing buildings, fences and field boundaries as well as all roads, tracks and paths. Road names are also included together with the relevant road number and classification. Boundary information depiction includes county, unitary authority, district, civil parish and constituency.

Map Name(s) and Date(s)



Historical Map - Slice C



Order Details

Order Number: 289775268_1_1
 Customer Ref: WIE11556-107
 National Grid Reference: 355290, 425700
 Slice: C
 Site Area (Ha): 61.13
 Search Buffer (m): 1000

Site Details

Site at 355440, 424740



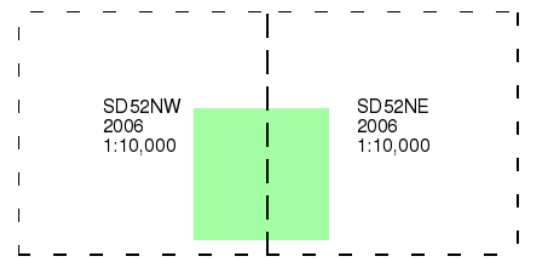
© Crown copyright. All Rights Reserved. Licence Number 100022432.



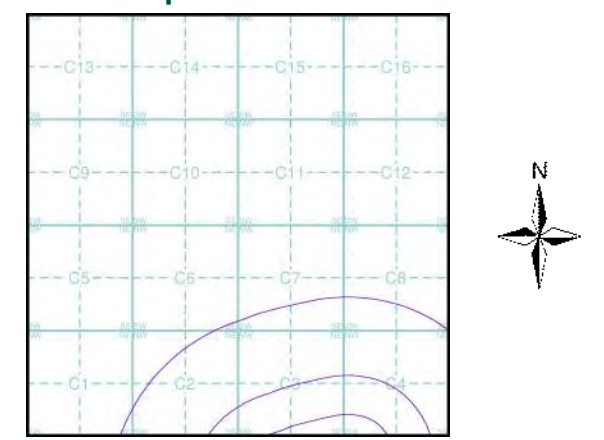
10k Raster Mapping
Published 2006
Source map scale - 1:10,000

The historical maps shown were produced from the Ordnance Survey's 1:10,000 colour raster mapping. These maps are derived from Landplan which replaced the old 1:10,000 maps originally published in 1970. The data is highly detailed showing buildings, fences and field boundaries as well as all roads, tracks and paths. Road names are also included together with the relevant road number and classification. Boundary information depiction includes county, unitary authority, district, civil parish and constituency.

Map Name(s) and Date(s)



Historical Map - Slice C

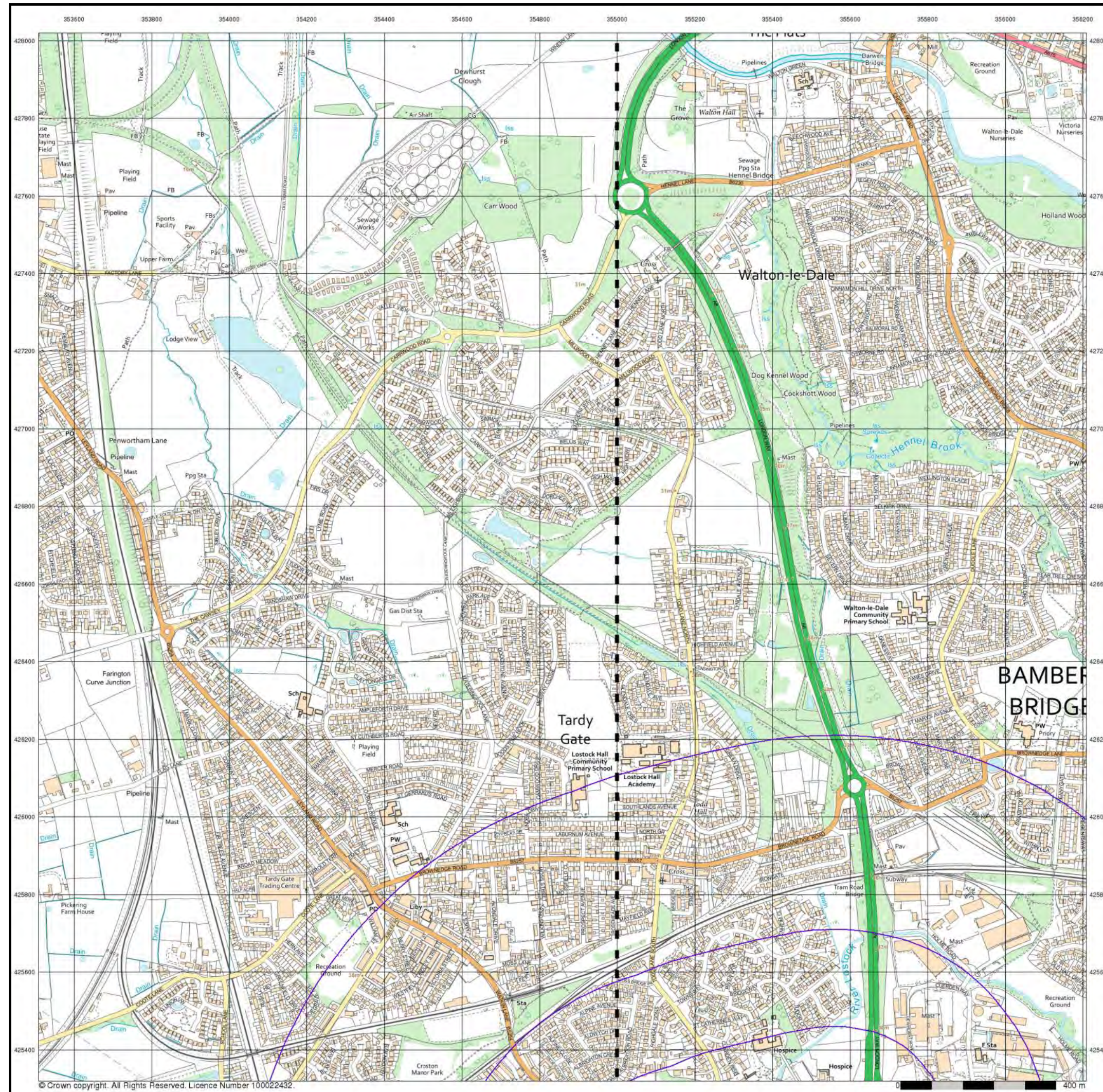


Order Details

Order Number: 289775268_1_1
 Customer Ref: WIE11556-107
 National Grid Reference: 355290, 425700
 Slice: C
 Site Area (Ha): 61.13
 Search Buffer (m): 1000

Site Details

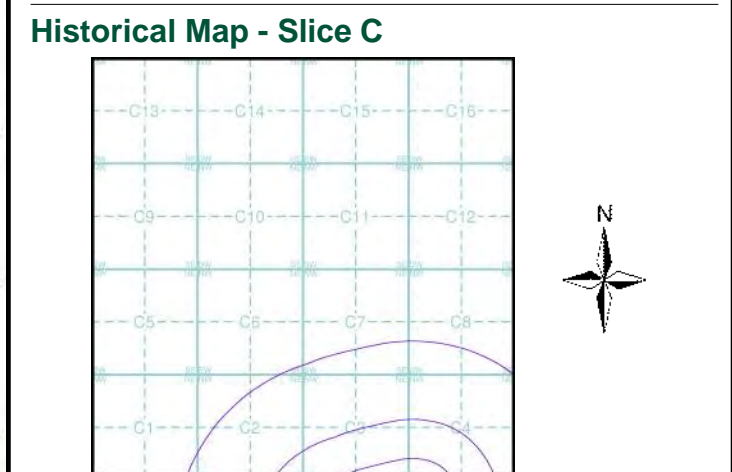
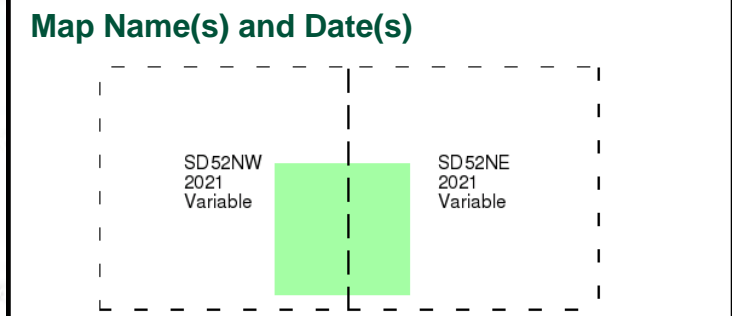
Site at 355440, 424740



© Crown copyright. All Rights Reserved. Licence Number 100022432.

VectorMap Local
Published 2021
Source map scale - 1:10,000

VectorMap Local (Raster) is Ordnance Survey's highest detailed 'backdrop' mapping product. These maps are produced from OS's VectorMap Local, a simple vector dataset at a nominal scale of 1:10,000, covering the whole of Great Britain, that has been designed for creating graphical mapping. OS VectorMap Local is derived from large-scale information surveyed at 1:1250 scale (covering major towns and cities), 1:2500 scale (smaller towns, villages and developed rural areas), and 1:10 000 scale (mountain, moorland and river estuary areas).



Order Details

Order Number: 289775268_1_1
 Customer Ref: WIE11556-107
 National Grid Reference: 355290, 425700
 Slice: C
 Site Area (Ha): 61.13
 Search Buffer (m): 1000

Site Details

Site at 355440, 424740