

Envirocheck[®] Report:

Datasheet

Order Details:

Order Number:

289775268_1_1

Customer Reference:

WIE11556-107

National Grid Reference:

356570, 424410

Slice:

B

Site Area (Ha):

61.13

Search Buffer (m):

1000

Site Details:

Site at 355440, 424740

Client Details:

Mr R Panter

Waterman Infrastructure & Environment Ltd

Waterman Group

5th Floor

1 Cornwall Street

Birmingham

West Midlands

B3 2DX

Report Section	Page Number
Summary	-
Agency & Hydrological	1
Waste	21
Hazardous Substances	-
Geological	23
Industrial Land Use	27
Sensitive Land Use	29
Data Currency	30
Data Suppliers	36
Useful Contacts	37

Introduction

The Environment Act 1995 has made site sensitivity a key issue, as the legislation pays as much attention to the pathways by which contamination could spread, and to the vulnerable targets of contamination, as it does the potential sources of contamination. For this reason, Landmark's Site Sensitivity maps and Datasheet(s) place great emphasis on statutory data provided by the Environment Agency/Natural Resources Wales and the Scottish Environment Protection Agency; it also incorporates data from Natural England (and the Scottish and Welsh equivalents) and Local Authorities; and highlights hydrogeological features required by environmental and geotechnical consultants. It does not include any information concerning past uses of land. The datasheet is produced by querying the Landmark database to a distance defined by the client from a site boundary provided by the client. In this datasheet the National Grid References (NGRs) are rounded to the nearest 10m in accordance with Landmark's agreements with a number of Data Suppliers.

Copyright Notice

© Landmark Information Group Limited 2022. The Copyright on the information and data and its format as contained in this Envirocheck® Report ("Report") is the property of Landmark Information Group Limited ("Landmark") and several other Data Providers, including (but not limited to) Ordnance Survey, British Geological Survey, the Environment Agency/Natural Resources Wales and Natural England, and must not be reproduced in whole or in part by photocopying or any other method. The Report is supplied under Landmark's Terms and Conditions accepted by the Customer. A copy of Landmark's Terms and Conditions can be found with the Index Map for this report. Additional copies of the Report may be obtained from Landmark, subject to Landmark's charges in force from time to time. The Copyright, design rights and any other intellectual rights shall remain the exclusive property of Landmark and/or other Data providers, whose Copyright material has been included in this Report. © Environment Agency & United Kingdom Research and Innovation 2022. © Natural Resources Wales & United Kingdom Research and Innovation 2022.

Natural England Copyright Notice

Site of Special Scientific Interest, National Nature Reserve, Ramsar, Special Protection Area, Special Conservation Area, Marine Nature Reserve data (derived from Ordnance Survey 1:10000 raster) is provided by, and used with the permission of, Natural England who retain the copyright and Intellectual Property Rights for the data.

Scottish Natural Heritage Copyright

Contains SNH information licensed under the Open Government Licence v3.0.

Ove Arup Copyright Notice

The Mining Instability data was obtained on licence from Ove Arup & Partners Limited (for further information, contact mining.review@arup.com). No reproduction or further use of such Data is to be made without the prior written consent of Ove Arup & Partners Limited. The supplied Mining Instability data is derived from publicly available records and other third party sources and neither Ove Arup & Partners nor Landmark warrant the accuracy or completeness of such information or data.

Stantec Copyright Notice

The cavity data presented has been extracted from the PBA (now Stantec UK Ltd) enhanced version of the original DEFRA national cavity databases. Stantec UK Ltd retain the copyright & intellectual property rights in the data. Whilst all reasonable efforts are made to check that the information contained in the cavity databases is accurate we do not warrant that the data is complete or error free. The information is based upon our own researches and those collated from a number of external sources and is continually being augmented and updated by Stantec UK Ltd. In no event shall Stantec UK Ltd or Landmark be liable for any loss or damage including, without limitation, indirect or consequential loss or damage arising from the use of this data.

Radon Potential dataset Copyright Notice

Information supplied from a joint dataset compiled by The British Geological Survey and Public Health England.

Natural Resources Wales Copyright Notice

Contains Natural Resources Wales information © Natural Resources Wales and Database Right. All rights Reserved. Contains Ordnance Survey Data. Ordnance Survey Licence number 100019741. Crown Copyright and Database Right. Contains Natural Resources Wales information © Natural Resources Wales and Database Right. All rights Reserved. Some features of this information are based on digital spatial data licensed from the Centre for Ecology & Hydrology © NERC (CEH). Defra, Met Office and DARD Rivers Agency © Crown copyright. © Cranfield University. © James Hutton Institute. Contains OS data © Crown copyright and database right 2022. Land & Property Services © Crown copyright and database right.

Report Version v53.0

Data Type	Page Number	On Site	0 to 250m	251 to 500m	501 to 1000m (*up to 2000m)
Agency & Hydrological					
BGS Groundwater Flooding Susceptibility	pg 1	Yes	Yes	Yes	n/a
Contaminated Land Register Entries and Notices					
Discharge Consents	pg 5				1
Prosecutions Relating to Controlled Waters			n/a	n/a	n/a
Enforcement and Prohibition Notices					
Integrated Pollution Controls					
Integrated Pollution Prevention And Control	pg 5				5
Local Authority Integrated Pollution Prevention And Control					
Local Authority Pollution Prevention and Controls	pg 6				3
Local Authority Pollution Prevention and Control Enforcements					
Nearest Surface Water Feature	pg 7		Yes		
Pollution Incidents to Controlled Waters	pg 7			5	17
Prosecutions Relating to Authorised Processes					
Registered Radioactive Substances					
River Quality	pg 10		1		1
River Quality Biology Sampling Points	pg 11				1
River Quality Chemistry Sampling Points					
Substantiated Pollution Incident Register	pg 11				2
Water Abstractions	pg 11				4
Water Industry Act Referrals					
Groundwater Vulnerability Map	pg 12	Yes	n/a	n/a	n/a
Groundwater Vulnerability - Soluble Rock Risk			n/a	n/a	n/a
Groundwater Vulnerability - Local Information			n/a	n/a	n/a
Bedrock Aquifer Designations	pg 13	Yes	n/a	n/a	n/a
Superficial Aquifer Designations	pg 13	Yes	n/a	n/a	n/a
Source Protection Zones					
Extreme Flooding from Rivers or Sea without Defences	pg 13		Yes	n/a	n/a
Flooding from Rivers or Sea without Defences				n/a	n/a
Areas Benefiting from Flood Defences				n/a	n/a
Flood Water Storage Areas				n/a	n/a
Flood Defences				n/a	n/a
OS Water Network Lines	pg 14			4	52

Data Type	Page Number	On Site	0 to 250m	251 to 500m	501 to 1000m (*up to 2000m)
Waste					
BGS Recorded Landfill Sites					
Historical Landfill Sites					
Integrated Pollution Control Registered Waste Sites					
Licensed Waste Management Facilities (Landfill Boundaries)					
Licensed Waste Management Facilities (Locations)					
Local Authority Landfill Coverage		2	n/a	n/a	n/a
Local Authority Recorded Landfill Sites					
Potentially Infilled Land (Non-Water)	pg 21				2
Potentially Infilled Land (Water)	pg 21		1	4	19
Registered Landfill Sites					
Registered Waste Transfer Sites					
Registered Waste Treatment or Disposal Sites					
Hazardous Substances					
Control of Major Accident Hazards Sites (COMAH)					
Explosive Sites					
Notification of Installations Handling Hazardous Substances (NIHHS)					
Planning Hazardous Substance Consents					
Planning Hazardous Substance Enforcements					

Data Type	Page Number	On Site	0 to 250m	251 to 500m	501 to 1000m (*up to 2000m)
Geological					
BGS 1:625,000 Solid Geology			n/a	n/a	n/a
BGS Estimated Soil Chemistry	pg 23	Yes	Yes	Yes	Yes
BGS Recorded Mineral Sites					
BGS Urban Soil Chemistry					
BGS Urban Soil Chemistry Averages					
CBSCB Compensation District			n/a	n/a	n/a
Coal Mining Affected Areas			n/a	n/a	n/a
Mining Instability			n/a	n/a	n/a
Man-Made Mining Cavities					
Natural Cavities					
Non Coal Mining Areas of Great Britain				n/a	n/a
Potential for Collapsible Ground Stability Hazards	pg 24	Yes	Yes	n/a	n/a
Potential for Compressible Ground Stability Hazards	pg 25		Yes	n/a	n/a
Potential for Ground Dissolution Stability Hazards				n/a	n/a
Potential for Landslide Ground Stability Hazards	pg 25	Yes	Yes	n/a	n/a
Potential for Running Sand Ground Stability Hazards	pg 25	Yes	Yes	n/a	n/a
Potential for Shrinking or Swelling Clay Ground Stability Hazards	pg 25	Yes		n/a	n/a
Radon Potential - Radon Affected Areas			n/a	n/a	n/a
Radon Potential - Radon Protection Measures			n/a	n/a	n/a
Industrial Land Use					
Contemporary Trade Directory Entries	pg 27				8
Fuel Station Entries					
Points of Interest - Commercial Services	pg 27				3
Points of Interest - Education and Health					
Points of Interest - Manufacturing and Production	pg 27				6
Points of Interest - Public Infrastructure	pg 28				2
Points of Interest - Recreational and Environmental					
Gas Pipelines					
Underground Electrical Cables					

Data Type	Page Number	On Site	0 to 250m	251 to 500m	501 to 1000m (*up to 2000m)
Sensitive Land Use					
Ancient Woodland					
Areas of Adopted Green Belt	pg 29	1	1		
Areas of Unadopted Green Belt					
Areas of Outstanding Natural Beauty					
Environmentally Sensitive Areas					
Forest Parks					
Local Nature Reserves					
Marine Nature Reserves					
National Nature Reserves					
National Parks					
Nitrate Sensitive Areas					
Nitrate Vulnerable Zones					
Ramsar Sites					
Sites of Special Scientific Interest					
Special Areas of Conservation					
Special Protection Areas					
World Heritage Sites					

Map ID	Details	Quadrant Reference (Compass Direction)	Estimated Distance From Site	Contact	NGR
	BGS Groundwater Flooding Susceptibility Flooding Type: Potential for Groundwater Flooding of Property Situated Below Ground Level	(W)	0	1	356100 424550
	BGS Groundwater Flooding Susceptibility Flooding Type: Potential for Groundwater Flooding to Occur at Surface	(NW)	0	1	355600 425000
	BGS Groundwater Flooding Susceptibility Flooding Type: Potential for Groundwater Flooding to Occur at Surface	(SW)	0	1	355600 423950
	BGS Groundwater Flooding Susceptibility Flooding Type: Potential for Groundwater Flooding of Property Situated Below Ground Level	(W)	0	1	356200 424350
	BGS Groundwater Flooding Susceptibility Flooding Type: Potential for Groundwater Flooding of Property Situated Below Ground Level	(NW)	0	1	356200 425000
	BGS Groundwater Flooding Susceptibility Flooding Type: Potential for Groundwater Flooding of Property Situated Below Ground Level	(NW)	0	1	355550 425000
	BGS Groundwater Flooding Susceptibility Flooding Type: Potential for Groundwater Flooding of Property Situated Below Ground Level	(W)	0	1	355800 424700
	BGS Groundwater Flooding Susceptibility Flooding Type: Potential for Groundwater Flooding to Occur at Surface	(NW)	0	1	356150 425350
	BGS Groundwater Flooding Susceptibility Flooding Type: Potential for Groundwater Flooding to Occur at Surface	(W)	0	1	356000 424450
	BGS Groundwater Flooding Susceptibility Flooding Type: Potential for Groundwater Flooding of Property Situated Below Ground Level	(W)	0	1	356100 424600
	BGS Groundwater Flooding Susceptibility Flooding Type: Limited Potential for Groundwater Flooding to Occur	B9NW (W)	2	1	356250 424500
	BGS Groundwater Flooding Susceptibility Flooding Type: Potential for Groundwater Flooding of Property Situated Below Ground Level	(W)	5	1	355850 424150
	BGS Groundwater Flooding Susceptibility Flooding Type: Potential for Groundwater Flooding of Property Situated Below Ground Level	(NW)	11	1	356000 424650
	BGS Groundwater Flooding Susceptibility Flooding Type: Potential for Groundwater Flooding to Occur at Surface	(NW)	13	1	355600 424950
	BGS Groundwater Flooding Susceptibility Flooding Type: Limited Potential for Groundwater Flooding to Occur	(W)	18	1	356000 424250
	BGS Groundwater Flooding Susceptibility Flooding Type: Limited Potential for Groundwater Flooding to Occur	(NW)	26	1	356050 424650
	BGS Groundwater Flooding Susceptibility Flooding Type: Potential for Groundwater Flooding of Property Situated Below Ground Level	(W)	30	1	355850 424700
	BGS Groundwater Flooding Susceptibility Flooding Type: Limited Potential for Groundwater Flooding to Occur	(NW)	35	1	355900 424700
	BGS Groundwater Flooding Susceptibility Flooding Type: Potential for Groundwater Flooding of Property Situated Below Ground Level	(W)	38	1	355950 424200
	BGS Groundwater Flooding Susceptibility Flooding Type: Potential for Groundwater Flooding of Property Situated Below Ground Level	B9NW (W)	61	1	356250 424400
	BGS Groundwater Flooding Susceptibility Flooding Type: Limited Potential for Groundwater Flooding to Occur	B9NW (NW)	64	1	356250 424600
	BGS Groundwater Flooding Susceptibility Flooding Type: Limited Potential for Groundwater Flooding to Occur	(SW)	86	1	356200 424250

Map ID	Details	Quadrant Reference (Compass Direction)	Estimated Distance From Site	Contact	NGR
	BGS Groundwater Flooding Susceptibility Flooding Type: Limited Potential for Groundwater Flooding to Occur	(SW)	88	1	355950 424150
	BGS Groundwater Flooding Susceptibility Flooding Type: Potential for Groundwater Flooding of Property Situated Below Ground Level	(NW)	89	1	355750 425150
	BGS Groundwater Flooding Susceptibility Flooding Type: Limited Potential for Groundwater Flooding to Occur	(W)	92	1	355900 424150
	BGS Groundwater Flooding Susceptibility Flooding Type: Limited Potential for Groundwater Flooding to Occur	(NW)	105	1	356150 424700
	BGS Groundwater Flooding Susceptibility Flooding Type: Limited Potential for Groundwater Flooding to Occur	(NW)	107	1	355800 424800
	BGS Groundwater Flooding Susceptibility Flooding Type: Potential for Groundwater Flooding to Occur at Surface	(NW)	108	1	355750 424850
	BGS Groundwater Flooding Susceptibility Flooding Type: Potential for Groundwater Flooding of Property Situated Below Ground Level	B9NW (W)	110	1	356250 424412
	BGS Groundwater Flooding Susceptibility Flooding Type: Limited Potential for Groundwater Flooding to Occur	(NW)	121	1	356050 424750
	BGS Groundwater Flooding Susceptibility Flooding Type: Limited Potential for Groundwater Flooding to Occur	(NW)	126	1	355850 424800
	BGS Groundwater Flooding Susceptibility Flooding Type: Limited Potential for Groundwater Flooding to Occur	(SW)	129	1	356100 424200
	BGS Groundwater Flooding Susceptibility Flooding Type: Potential for Groundwater Flooding of Property Situated Below Ground Level	(NW)	131	1	355700 424850
	BGS Groundwater Flooding Susceptibility Flooding Type: Potential for Groundwater Flooding of Property Situated Below Ground Level	(NW)	134	1	356000 424800
	BGS Groundwater Flooding Susceptibility Flooding Type: Potential for Groundwater Flooding of Property Situated Below Ground Level	B13SW (NW)	135	1	356250 424700
	BGS Groundwater Flooding Susceptibility Flooding Type: Potential for Groundwater Flooding of Property Situated Below Ground Level	(SW)	140	1	355900 424100
	BGS Groundwater Flooding Susceptibility Flooding Type: Limited Potential for Groundwater Flooding to Occur	(SW)	157	1	355850 424100
	BGS Groundwater Flooding Susceptibility Flooding Type: Potential for Groundwater Flooding of Property Situated Below Ground Level	(NW)	169	1	356100 424850
	BGS Groundwater Flooding Susceptibility Flooding Type: Potential for Groundwater Flooding of Property Situated Below Ground Level	(SW)	178	1	355700 423950
	BGS Groundwater Flooding Susceptibility Flooding Type: Limited Potential for Groundwater Flooding to Occur	(SW)	183	1	355750 424000
	BGS Groundwater Flooding Susceptibility Flooding Type: Limited Potential for Groundwater Flooding to Occur	(NW)	184	1	356150 424800
	BGS Groundwater Flooding Susceptibility Flooding Type: Limited Potential for Groundwater Flooding to Occur	(SW)	190	1	355900 424050
	BGS Groundwater Flooding Susceptibility Flooding Type: Limited Potential for Groundwater Flooding to Occur	B9NW (W)	196	1	356350 424500
	BGS Groundwater Flooding Susceptibility Flooding Type: Limited Potential for Groundwater Flooding to Occur	B9NW (NW)	196	1	356400 424550

Map ID	Details	Quadrant Reference (Compass Direction)	Estimated Distance From Site	Contact	NGR
	BGS Groundwater Flooding Susceptibility Flooding Type: Potential for Groundwater Flooding of Property Situated Below Ground Level	B9NW (W)	201	1	356300 424500
	BGS Groundwater Flooding Susceptibility Flooding Type: Limited Potential for Groundwater Flooding to Occur	B13SW (NW)	201	1	356300 424650
	BGS Groundwater Flooding Susceptibility Flooding Type: Limited Potential for Groundwater Flooding to Occur	B9NW (W)	202	1	356250 424350
	BGS Groundwater Flooding Susceptibility Flooding Type: Potential for Groundwater Flooding of Property Situated Below Ground Level	(SW)	202	1	355850 424050
	BGS Groundwater Flooding Susceptibility Flooding Type: Limited Potential for Groundwater Flooding to Occur	B9NW (W)	208	1	356300 424450
	BGS Groundwater Flooding Susceptibility Flooding Type: Limited Potential for Groundwater Flooding to Occur	(SW)	211	1	355800 424050
	BGS Groundwater Flooding Susceptibility Flooding Type: Potential for Groundwater Flooding of Property Situated Below Ground Level	B13SW (NW)	217	1	356400 424650
	BGS Groundwater Flooding Susceptibility Flooding Type: Potential for Groundwater Flooding of Property Situated Below Ground Level	B9NW (W)	219	1	356300 424412
	BGS Groundwater Flooding Susceptibility Flooding Type: Potential for Groundwater Flooding of Property Situated Below Ground Level	B9SW (W)	222	1	356250 424300
	BGS Groundwater Flooding Susceptibility Flooding Type: Limited Potential for Groundwater Flooding to Occur	B9NW (W)	233	1	356400 424350
	BGS Groundwater Flooding Susceptibility Flooding Type: Potential for Groundwater Flooding of Property Situated Below Ground Level	B9SW (SW)	241	1	356250 424250
	BGS Groundwater Flooding Susceptibility Flooding Type: Potential for Groundwater Flooding of Property Situated Below Ground Level	B13SW (NW)	243	1	356250 424800
	BGS Groundwater Flooding Susceptibility Flooding Type: Potential for Groundwater Flooding of Property Situated Below Ground Level	(NW)	251	1	356100 425050
	BGS Groundwater Flooding Susceptibility Flooding Type: Potential for Groundwater Flooding of Property Situated Below Ground Level	B9NW (W)	257	1	356350 424450
	BGS Groundwater Flooding Susceptibility Flooding Type: Potential for Groundwater Flooding of Property Situated Below Ground Level	B9NW (W)	267	1	356350 424412
	BGS Groundwater Flooding Susceptibility Flooding Type: Potential for Groundwater Flooding of Property Situated Below Ground Level	B9SW (SW)	268	1	356350 424300
	BGS Groundwater Flooding Susceptibility Flooding Type: Potential for Groundwater Flooding of Property Situated Below Ground Level	B13SW (NW)	276	1	356300 424800
	BGS Groundwater Flooding Susceptibility Flooding Type: Limited Potential for Groundwater Flooding to Occur	B9NE (E)	280	1	356570 424412
	BGS Groundwater Flooding Susceptibility Flooding Type: Limited Potential for Groundwater Flooding to Occur	B9SW (SW)	285	1	356250 424150
	BGS Groundwater Flooding Susceptibility Flooding Type: Potential for Groundwater Flooding of Property Situated Below Ground Level	B13SW (NW)	285	1	356250 424850
	BGS Groundwater Flooding Susceptibility Flooding Type: Potential for Groundwater Flooding of Property Situated Below Ground Level	B13SW (N)	285	1	356500 424700
	BGS Groundwater Flooding Susceptibility Flooding Type: Limited Potential for Groundwater Flooding to Occur	(SW)	288	1	355950 423950

Map ID	Details	Quadrant Reference (Compass Direction)	Estimated Distance From Site	Contact	NGR
	BGS Groundwater Flooding Susceptibility Flooding Type: Potential for Groundwater Flooding to Occur at Surface	B9NW (NW)	300	1	356400 424500
	BGS Groundwater Flooding Susceptibility Flooding Type: Potential for Groundwater Flooding of Property Situated Below Ground Level	B9SW (SW)	306	1	356350 424200
	BGS Groundwater Flooding Susceptibility Flooding Type: Potential for Groundwater Flooding of Property Situated Below Ground Level	B9NW (W)	306	1	356400 424450
	BGS Groundwater Flooding Susceptibility Flooding Type: Potential for Groundwater Flooding to Occur at Surface	B13SW (N)	313	1	356450 424750
	BGS Groundwater Flooding Susceptibility Flooding Type: Limited Potential for Groundwater Flooding to Occur	B9NW (NW)	316	1	356500 424450
	BGS Groundwater Flooding Susceptibility Flooding Type: Potential for Groundwater Flooding of Property Situated Below Ground Level	(SW)	323	1	356000 423900
	BGS Groundwater Flooding Susceptibility Flooding Type: Limited Potential for Groundwater Flooding to Occur	B9SW (SW)	329	1	356350 424150
	BGS Groundwater Flooding Susceptibility Flooding Type: Potential for Groundwater Flooding of Property Situated Below Ground Level	(NW)	342	1	356150 424950
	BGS Groundwater Flooding Susceptibility Flooding Type: Potential for Groundwater Flooding of Property Situated Below Ground Level	B9NW (NW)	346	1	356450 424500
	BGS Groundwater Flooding Susceptibility Flooding Type: Limited Potential for Groundwater Flooding to Occur	(SW)	347	1	356100 423900
	BGS Groundwater Flooding Susceptibility Flooding Type: Limited Potential for Groundwater Flooding to Occur	B9SE (S)	353	1	356550 424150
	BGS Groundwater Flooding Susceptibility Flooding Type: Potential for Groundwater Flooding of Property Situated Below Ground Level	(SW)	354	1	355750 423750
	BGS Groundwater Flooding Susceptibility Flooding Type: Potential for Groundwater Flooding of Property Situated Below Ground Level	(NW)	357	1	356200 424950
	BGS Groundwater Flooding Susceptibility Flooding Type: Potential for Groundwater Flooding of Property Situated Below Ground Level	(SW)	357	1	355800 423800
	BGS Groundwater Flooding Susceptibility Flooding Type: Potential for Groundwater Flooding of Property Situated Below Ground Level	B9SW (SW)	360	1	356400 424300
	BGS Groundwater Flooding Susceptibility Flooding Type: Limited Potential for Groundwater Flooding to Occur	(SW)	367	1	356200 423950
	BGS Groundwater Flooding Susceptibility Flooding Type: Limited Potential for Groundwater Flooding to Occur	(SW)	390	1	356200 423650
	BGS Groundwater Flooding Susceptibility Flooding Type: Limited Potential for Groundwater Flooding to Occur	B13SW (N)	398	1	356500 424650
	BGS Groundwater Flooding Susceptibility Flooding Type: Potential for Groundwater Flooding of Property Situated Below Ground Level	(NW)	399	1	355700 425600
	BGS Groundwater Flooding Susceptibility Flooding Type: Limited Potential for Groundwater Flooding to Occur	B9SE (S)	399	1	356570 424250
	BGS Groundwater Flooding Susceptibility Flooding Type: Potential for Groundwater Flooding of Property Situated Below Ground Level	B13NW (NW)	421	1	356250 425000
	BGS Groundwater Flooding Susceptibility Flooding Type: Potential for Groundwater Flooding to Occur at Surface	B13NW (N)	441	1	356350 425000

Map ID	Details	Quadrant Reference (Compass Direction)	Estimated Distance From Site	Contact	NGR
	BGS Groundwater Flooding Susceptibility Flooding Type: Potential for Groundwater Flooding of Property Situated Below Ground Level	B13SE (N)	448	1	356570 424650
	BGS Groundwater Flooding Susceptibility Flooding Type: Limited Potential for Groundwater Flooding to Occur	B13SE (N)	456	1	356550 424700
	BGS Groundwater Flooding Susceptibility Flooding Type: Potential for Groundwater Flooding of Property Situated Below Ground Level	(SW)	468	1	355850 423700
	BGS Groundwater Flooding Susceptibility Flooding Type: Potential for Groundwater Flooding of Property Situated Below Ground Level	B13SE (N)	486	1	356570 424800
	BGS Groundwater Flooding Susceptibility Flooding Type: Potential for Groundwater Flooding of Property Situated Below Ground Level	B13SW (N)	488	1	356500 424950
	BGS Groundwater Flooding Susceptibility Flooding Type: Potential for Groundwater Flooding of Property Situated Below Ground Level	B13NW (N)	493	1	356400 425000
1	Discharge Consents Operator: Mr E Barnfather Property Type: WWTW (NOT WATER CO) (NOT STP AT A PRIVATE PREMISES) Location: Agricultural Buildings Berkeley Farm, Shady Lane, Cuerden, Nr Leyland, Lancashire Authority: Environment Agency, North West Region Catchment Area: Not Given Reference: 017091315 Permit Version: 1 Effective Date: 23rd September 1996 Issued Date: Not Supplied Revocation Date: Not Supplied Discharge Type: Sewage Discharges - Final/Treated Effluent - Not Water Company Discharge: Freshwater Stream/River Environment: Receiving Water: Trib River Lostock Status: Post National Rivers Authority Legislation where issue date > 31/08/1989 Positional Accuracy: Located by supplier to within 100m	B5NW (SW)	578	2	356300 423800
2	Integrated Pollution Prevention And Control Name: Dunbia (Preston) Limited Location: Dunbia (Preston) - Epr/Wp3338up, Church Road, Bamber Bridge,, Preston, Lancashire, PR5 6AJ Authority: Environment Agency, North West Region Permit Reference: GP3900BX Original Permit Ref: Wp3338up Effective Date: 16th June 2021 Status: Effective Application Type: Variation App. Sub Type: Standard Positional Accuracy: Located by supplier to within 10m Activity Code: 6.8 A(1) (B) Activity Description: Animal, Vegetable And Food; Slaughtering Animals Greater Than 50 T/Day Primary Activity: Y	B13NE (N)	696	2	356620 425010
2	Integrated Pollution Prevention And Control Name: Kepak (Uk) Ltd Location: Bamber Bridge Abbatoir, Church Road, Preston, Lancashire, PR5 6AJ Authority: Environment Agency, North West Region Permit Reference: Bo5217it Original Permit Ref: Bo5217it Effective Date: 26th April 2005 Status: Superseded By Variation Application Type: Application App. Sub Type: New Positional Accuracy: Located by supplier to within 10m Activity Code: 6.8 A(1) (B) Activity Description: Animal, Vegetable And Food; Slaughtering Animals Greater Than 50 T/Day Primary Activity: Y	B13NE (N)	696	2	356620 425010

Map ID	Details	Quadrant Reference (Compass Direction)	Estimated Distance From Site	Contact	NGR
3	<p>Integrated Pollution Prevention And Control</p> <p>Name: Dunbia (Preston) Location: Dunbia (Preston) - Epr/Wp3338up, Chrch Road, Bamber Bridge,, Lancashire, PR5 6AJ Authority: Environment Agency, North West Region Permit Reference: GP3038EH Original Permit Ref: Wp3338up Effective Date: 31st March 2014 Status: Superseded By Variation Application Type: Variation App. Sub Type: Simple Standard Variation Positional Accuracy: Manually positioned within the geographical locality Activity Code: 5.4 A(1) (a) (ii) Activity Description: DISPOSAL OF > 50 T/D NON-HAZARDOUS WASTE (> 100 T/D IF ONLY AD) INVOLVING PHYSICO-CHEMICAL TREATMENT Primary Activity: N Activity Code: 6.8 A(1) (B) Activity Description: Animal, Vegetable And Food; Slaughtering Animals Greater Than 50 T/Day Primary Activity: Y Activity Code: 6.8 A(1) (D) (I) Activity Description: TREATMENT AND PROCESSING (OTHER THAN PACKAGING) OF ONLY ANIMAL RAW MATERIALS (OTHER THAN MILK ONLY) INTENDED FOR PRODUCTION OF FOOD OR FEED WITH A FINISHED PRODUCT CAPACITY GREATER THAN 75 T/D Primary Activity: N</p>	B14SW (NE)	919	2	356970 424689
3	<p>Integrated Pollution Prevention And Control</p> <p>Name: Dunbia (Preston) Location: Kepak Preston, Church Road,, Bamber Bridge,, Preston, Lancashire, PR5 6AJ Authority: Environment Agency, North West Region Permit Reference: WP3633HG Original Permit Ref: Wp3338up Effective Date: 19th December 2011 Status: Superseded By Variation Application Type: Variation App. Sub Type: Substantial Positional Accuracy: Automatically positioned to the address Activity Code: 6.8 A(1) (B) Activity Description: Animal, Vegetable And Food; Slaughtering Animals Greater Than 50 T/Day Primary Activity: Y</p>	B14SW (NE)	925	2	356977 424679
3	<p>Integrated Pollution Prevention And Control</p> <p>Name: Dunbia (Preston) Location: Kepak Preston, Church Road,, Bamber Bridge,, Preston, Lancashire, PR5 6AJ Authority: Environment Agency, North West Region Permit Reference: WP3338UP Original Permit Ref: Wp3338up Effective Date: 12th June 2007 Status: Superseded By Variation Application Type: Transfer App. Sub Type: Whole limited change in management Positional Accuracy: Automatically positioned to the address Activity Code: 6.8 A(1) (B) Activity Description: Animal, Vegetable And Food; Slaughtering Animals Greater Than 50 T/Day Primary Activity: Y</p>	B14SW (NE)	925	2	356977 424679
4	<p>Local Authority Pollution Prevention and Controls</p> <p>Name: Baxi Heating Uk Ltd Location: Club Street, Bamber Bridge, PRESTON, PR5 6FN Authority: South Ribble Borough Council, Environmental Health Department Permit Reference: PPC/49 Dated: 5th April 2005 Process Type: Local Authority Pollution Prevention and Control Description: PG6/31 Powder coating processes (including sheradizing) Status: Permitted Positional Accuracy: Manually positioned to the address or location</p>	B13NW (N)	787	3	356506 425250
5	<p>Local Authority Pollution Prevention and Controls</p> <p>Name: Baxi Heating Uk Limited Location: Club Street, Bamber Bridge, Preston, PR5 6FN Authority: South Ribble Borough Council, Environmental Health Department Permit Reference: PPC/8 Dated: Not Supplied Process Type: Local Authority Pollution Prevention and Control Description: PG2/4 Iron, steel and non-ferrous metal foundry processes Status: Permitted Positional Accuracy: Manually positioned to the address or location</p>	B13NE (N)	858	3	356550 425305

Map ID	Details	Quadrant Reference (Compass Direction)	Estimated Distance From Site	Contact	NGR
6	<p>Local Authority Pollution Prevention and Controls</p> <p>Name: Alfer Ltd Location: Club Street, Bamber Bridge, PRESTON, Lancashire, PR5 6FN Authority: South Ribble Borough Council, Environmental Health Department Permit Reference: SRBC/PPC/8 Dated: Not Supplied Process Type: Local Authority Pollution Prevention and Control Description: PG2/4 Iron, steel and non-ferrous metal foundry processes Status: Permitted Positional Accuracy: Manually positioned to the address or location</p>	B13NE (N)	942	3	356745 425246
	<p>Nearest Surface Water Feature</p>	B9NW (W)	174	-	356270 424498
7	<p>Pollution Incidents to Controlled Waters</p> <p>Property Type: Not Given Location: Lancashire Authority: Environment Agency, North West Region Pollutant: Oils - Diesel (Including Agricultural) Note: Oil Incident Date: 15th August 1996 Incident Reference: 96410130 Catchment Area: Lostock Receiving Water: Not Given Cause of Incident: Other Incident/Unknown Incident Severity: Category 3 - Minor Incident Positional Accuracy: Located by supplier to within 100m</p>	B9NW (NW)	346	2	356400 424600
8	<p>Pollution Incidents to Controlled Waters</p> <p>Property Type: Boats/Ships Location: Lancashire Authority: Environment Agency, North West Region Pollutant: Unknown Note: None Incident Date: 28th February 1994 Incident Reference: 94410025 Catchment Area: Lostock Receiving Water: Canal Cause of Incident: Other Incident/Unknown Incident Severity: Category 3 - Minor Incident Positional Accuracy: Located by supplier to within 100m</p>	B9NW (W)	376	2	356400 424400
9	<p>Pollution Incidents to Controlled Waters</p> <p>Property Type: Not Given Location: Location Description Not Available Authority: Environment Agency, North West Region Pollutant: Miscellaneous - Inert Suspended Solids Note: Not Supplied Incident Date: 20th April 1995 Incident Reference: 95410118 Catchment Area: Lostock Receiving Water: Not Given Cause of Incident: Poor Operational Practice Incident Severity: Category 2 - Significant Incident Positional Accuracy: Located by supplier to within 100m</p>	B9NW (NW)	455	2	356500 424500
9	<p>Pollution Incidents to Controlled Waters</p> <p>Property Type: Not Given Location: Lancashire Authority: Environment Agency, North West Region Pollutant: Miscellaneous - Inert Suspended Solids Note: River Lostock; Silt Incident Date: 18th January 1996 Incident Reference: 96410011 Catchment Area: Lostock Receiving Water: Not Given Cause of Incident: Ineffective Pumping Incident Severity: Category 3 - Minor Incident Positional Accuracy: Located by supplier to within 100m</p>	B9NW (NW)	456	2	356500 424495
10	<p>Pollution Incidents to Controlled Waters</p> <p>Property Type: Not Given Location: Lancashire Authority: Environment Agency, North West Region Pollutant: Oils - Diesel (Including Agricultural) Note: River Lostock; Diesel Incident Date: 13th May 1996 Incident Reference: 96410058 Catchment Area: Lostock Receiving Water: Not Given Cause of Incident: Not Given Incident Severity: Category 3 - Minor Incident Positional Accuracy: Located by supplier to within 100m</p>	B13SW (N)	486	2	356500 424800

Map ID	Details	Quadrant Reference (Compass Direction)	Estimated Distance From Site	Contact	NGR
11	<p>Pollution Incidents to Controlled Waters</p> <p>Property Type: Not Given Location: Lancashire Authority: Environment Agency, North West Region Pollutant: Miscellaneous - Inert Suspended Solids Note: River Lostock; Silt Incident Date: 13th November 1996 Incident Reference: 96410154 Catchment Area: Lostock Receiving Water: Not Given Cause of Incident: Not Given Incident Severity: Category 3 - Minor Incident Positional Accuracy: Located by supplier to within 100m</p>	B13NW (N)	548	2	356300 425095
11	<p>Pollution Incidents to Controlled Waters</p> <p>Property Type: Not Given Location: Location Description Not Available Authority: Environment Agency, North West Region Pollutant: Oils - Diesel (Including Agricultural) Note: River Lostock Incident Date: 6th October 1994 Incident Reference: 94410167 Catchment Area: Lostock Receiving Water: Not Given Cause of Incident: Poor Operational Practice Incident Severity: Category 2 - Significant Incident Positional Accuracy: Located by supplier to within 100m</p>	B13NW (N)	553	2	356300 425100
12	<p>Pollution Incidents to Controlled Waters</p> <p>Property Type: Not Given Location: Location Description Not Available Authority: Environment Agency, North West Region Pollutant: Oils - Waste Oil Note: Not Supplied Incident Date: 2nd July 1993 Incident Reference: 93410147 Catchment Area: Lostock Receiving Water: Not Given Cause of Incident: Unknown Incident Severity: Category 2 - Significant Incident Positional Accuracy: Located by supplier to within 100m</p>	B13NW (N)	639	2	356300 425195
12	<p>Pollution Incidents to Controlled Waters</p> <p>Property Type: Not Given Location: Location Description Not Available Authority: Environment Agency, North West Region Pollutant: Miscellaneous - Inert Suspended Solids Note: River Lostock Incident Date: 24th May 1994 Incident Reference: 94410085 Catchment Area: Lostock Receiving Water: Not Given Cause of Incident: Poor Operational Practice Incident Severity: Category 2 - Significant Incident Positional Accuracy: Located by supplier to within 100m</p>	B13NW (N)	641	2	356305 425195
12	<p>Pollution Incidents to Controlled Waters</p> <p>Property Type: Not Given Location: Location Description Not Available Authority: Environment Agency, North West Region Pollutant: Oils - Unknown Note: River Lostock Incident Date: 30th July 1991 Incident Reference: 91410120 Catchment Area: Lostock Receiving Water: Not Given Cause of Incident: Unknown Incident Severity: Category 3 - Minor Incident Positional Accuracy: Located by supplier to within 100m</p>	B13NW (N)	644	2	356300 425200
12	<p>Pollution Incidents to Controlled Waters</p> <p>Property Type: Not Given Location: Lancashire Authority: Environment Agency, North West Region Pollutant: Not Given Note: None Pollution Found Incident Date: 5th August 1992 Incident Reference: 92410150 Catchment Area: Lostock Receiving Water: Not Given Cause of Incident: Not Given Incident Severity: Category 3 - Minor Incident Positional Accuracy: Located by supplier to within 100m</p>	B13NW (N)	646	2	356305 425200

Map ID	Details	Quadrant Reference (Compass Direction)	Estimated Distance From Site	Contact	NGR
13	<p>Pollution Incidents to Controlled Waters</p> <p>Property Type: Not Given Location: Location Description Not Available Authority: Environment Agency, North West Region Pollutant: Miscellaneous - Inert Suspended Solids Note: River Lostock Incident Date: 15th September 1992 Incident Reference: 92410172 Catchment Area: Lostock Receiving Water: Not Given Cause of Incident: Unknown Incident Severity: Category 2 - Significant Incident Positional Accuracy: Located by supplier to within 100m</p>	B9NE (NE)	646	2	356700 424600
14	<p>Pollution Incidents to Controlled Waters</p> <p>Property Type: Private Sewage: Sewage Works And Septic Tanks Location: Location Description Not Available Authority: Environment Agency, North West Region Pollutant: Sewage - Septic Tank Effluent Note: Tributary Of Lostock Incident Date: 21st June 1991 Incident Reference: 91410082 Catchment Area: Lostock Receiving Water: Not Given Cause of Incident: Unknown Incident Severity: Category 3 - Minor Incident Positional Accuracy: Located by supplier to within 100m</p>	B5NW (S)	648	2	356400 423800
15	<p>Pollution Incidents to Controlled Waters</p> <p>Property Type: Not Given Location: Location Description Not Available Authority: Environment Agency, North West Region Pollutant: Miscellaneous - Inert Suspended Solids Note: River Lostock Incident Date: 28th April 1995 Incident Reference: 95410062 Catchment Area: Lostock Receiving Water: Not Given Cause of Incident: Deliberate Disposal To Drain Incident Severity: Category 2 - Significant Incident Positional Accuracy: Located by supplier to within 100m</p>	B13SE (NE)	652	2	356700 424695
15	<p>Pollution Incidents to Controlled Waters</p> <p>Property Type: Not Given Location: Location Description Not Available Authority: Environment Agency, North West Region Pollutant: Miscellaneous - Inert Suspended Solids Note: River Lostock Incident Date: 5th August 1992 Incident Reference: 92410154 Catchment Area: Lostock Receiving Water: Not Given Cause of Incident: Unknown Incident Severity: Category 2 - Significant Incident Positional Accuracy: Located by supplier to within 100m</p>	B13SE (NE)	653	2	356700 424700
16	<p>Pollution Incidents to Controlled Waters</p> <p>Property Type: Not Given Location: Location Description Not Available Authority: Environment Agency, North West Region Pollutant: Oils - Diesel (Including Agricultural) Note: Not Supplied Incident Date: 9th March 1994 Incident Reference: 94410036 Catchment Area: Lostock Receiving Water: Not Given Cause of Incident: Poor Operational Practice Incident Severity: Category 3 - Minor Incident Positional Accuracy: Located by supplier to within 100m</p>	B13NW (N)	688	2	356400 425200
17	<p>Pollution Incidents to Controlled Waters</p> <p>Property Type: Not Given Location: Location Description Not Available Authority: Environment Agency, North West Region Pollutant: Miscellaneous - Inert Suspended Solids Note: River Lostock Incident Date: 27th June 1995 Incident Reference: 95410114 Catchment Area: Lostock Receiving Water: Not Given Cause of Incident: Deliberate Disposal To Drain Incident Severity: Category 2 - Significant Incident Positional Accuracy: Located by supplier to within 100m</p>	B9SE (SE)	692	2	356700 424300

Map ID	Details	Quadrant Reference (Compass Direction)	Estimated Distance From Site	Contact	NGR
18	<p>Pollution Incidents to Controlled Waters</p> <p>Property Type: Not Given Location: Location Description Not Available Authority: Environment Agency, North West Region Pollutant: Rubble/Litter Or Solids Note: River Lostock Incident Date: 15th August 1991 Incident Reference: 91410071 Catchment Area: Lostock Receiving Water: Not Given Cause of Incident: Unknown Incident Severity: Category 3 - Minor Incident Positional Accuracy: Located by supplier to within 100m</p>	B13NW (N)	701	2	356300 425300
19	<p>Pollution Incidents to Controlled Waters</p> <p>Property Type: Agricultural Location: Junction 29 Slip Road M6 Authority: Environment Agency, North West Region Pollutant: Other Sewage Note: Blood And Sewage (Abattoir); River Lostock Incident Date: 21st October 1997 Incident Reference: 97410102 Catchment Area: Lostock Receiving Water: Freshwater Stream/River Cause of Incident: Blocked Sewer Incident Severity: Category 3 - Minor Incident Positional Accuracy: Located by supplier to within 100m</p>	B13SE (N)	710	2	356700 424900
20	<p>Pollution Incidents to Controlled Waters</p> <p>Property Type: Not Given Location: Location Description Not Available Authority: Environment Agency, North West Region Pollutant: Oils - Diesel (Including Agricultural) Note: River Lostock Incident Date: 5th August 1994 Incident Reference: 94410130 Catchment Area: Lostock Receiving Water: Not Given Cause of Incident: Leaking Tank Incident Severity: Category 3 - Minor Incident Positional Accuracy: Located by supplier to within 100m</p>	B13NW (N)	743	2	356500 425200
21	<p>Pollution Incidents to Controlled Waters</p> <p>Property Type: Not Given Location: Location Description Not Available Authority: Environment Agency, North West Region Pollutant: Miscellaneous - Inert Suspended Solids Note: River Lostock Incident Date: 11th September 1995 Incident Reference: 95410169 Catchment Area: Lostock Receiving Water: Not Given Cause of Incident: Poor Operational Practice Incident Severity: Category 2 - Significant Incident Positional Accuracy: Located by supplier to within 100m</p>	B9SE (SE)	788	2	356800 424300
22	<p>Pollution Incidents to Controlled Waters</p> <p>Property Type: Not Given Location: Location Description Not Available Authority: Environment Agency, North West Region Pollutant: Miscellaneous - Inert Suspended Solids Note: Tributary Of Lostock Incident Date: 13th February 1992 Incident Reference: 92410031 Catchment Area: Lostock Receiving Water: Not Given Cause of Incident: Unknown Incident Severity: Category 3 - Minor Incident Positional Accuracy: Located by supplier to within 100m</p>	B14SW (NE)	966	2	357000 424800
	<p>River Quality</p> <p>Name: Lostock GQA Grade: River Quality C Reach: M6 To Leyland Stw Estimated Distance (km): 7.6 Flow Rate: Flow less than 1.25 cumecs Flow Type: River Year: 2000</p>	B13SE (N)	32	2	356550 424895

Map ID	Details	Quadrant Reference (Compass Direction)	Estimated Distance From Site	Contact	NGR
	River Quality Name: Lostock GQA Grade: River Quality C Reach: Qsl Withnell Fold To M6 Estimated Distance (km): 6.4 Flow Rate: Flow less than 0.62 cumecs Flow Type: River Year: 2000	B9NE (NE)	575	2	356741 424550
23	River Quality Biology Sampling Points Name: Lostock Reach: M6 To Leyland Sewage Treatment Works Estimated Distance: 7.60 Positional Accuracy: Located by supplier to within 100m Year: 1990 GQA Grade: River Quality Biology GQA Grade E - Poor Year: 1995 GQA Grade: River Quality Biology GQA Grade E - Poor Year: 2000 GQA Grade: River Quality Biology GQA Grade E - Poor Year: 2002 GQA Grade: River Quality Biology GQA Grade E - Poor Year: 2003 GQA Grade: River Quality Biology GQA Grade E - Poor Year: 2004 GQA Grade: River Quality Biology GQA Grade D - Fair Year: 2005 GQA Grade: River Quality Biology GQA Grade D - Fair Year: 2006 GQA Grade: River Quality Biology GQA Grade D - Fair Year: 2007 GQA Grade: River Quality Biology GQA Grade C - Fairly Good Year: 2008 GQA Grade: River Quality Biology GQA Grade C - Fairly Good Year: 2009 GQA Grade: River Quality Biology GQA Grade C - Fairly Good	B13SE (N)	579	2	356600 424800
24	Substantiated Pollution Incident Register Authority: Environment Agency - North West Region, North Area Incident Date: 19th March 2006 Incident Reference: 384586 Water Impact: Category 4 - No Impact Air Impact: Category 2 - Significant Incident Land Impact: Category 4 - No Impact Positional Accuracy: Located by supplier to within 10m Pollutant: Atmospheric Pollutants And Effects: Effects On Humans	B13NW (N)	722	2	356410 425234
25	Substantiated Pollution Incident Register Authority: Environment Agency - North West Region, North Area Incident Date: 23rd August 2017 Incident Reference: 1549999 Water Impact: Category 2 - Significant Incident Air Impact: Category 4 - No Impact Land Impact: Category 4 - No Impact Positional Accuracy: Located by supplier to within 10m Pollutant: Agricultural Materials And Wastes: Slurry And Dilute Slurry	B9SE (SE)	909	2	356834 424034
26	Water Abstractions Operator: Dunbia (Preston) Licence Number: 2670212021 Permit Version: 2 Location: Borehole At Bamber Bridge, Preston Authority: Environment Agency, North West Region Abstraction: Extractive: Process water Abstraction Type: Water may be abstracted from a single point Source: Groundwater Daily Rate (m3): Not Supplied Yearly Rate (m3): Not Supplied Details: Not Supplied Authorised Start: 01 January Authorised End: 31 December Permit Start Date: 1st April 2007 Permit End Date: Not Supplied Positional Accuracy: Located by supplier to within 100m	B10NW (NE)	946	2	357000 424600

Map ID	Details	Quadrant Reference (Compass Direction)	Estimated Distance From Site	Contact	NGR
26	<p>Water Abstractions</p> <p>Operator: Kepak Uk Ltd Licence Number: 2670212021 Permit Version: 1 Location: Borehole At Bamber Bridge, Preston Authority: Environment Agency, North West Region Abstraction: Extractive: Process water Abstraction Type: Not Supplied Source: Groundwater Daily Rate (m3): Not Supplied Yearly Rate (m3): Not Supplied Details: Not Supplied Authorised Start: 01 January Authorised End: 31 December Permit Start Date: 25th February 2004 Permit End Date: Not Supplied Positional Accuracy: Located by supplier to within 100m</p>	B10NW (NE)	946	2	357000 424600
26	<p>Water Abstractions</p> <p>Operator: Dunbia (Preston) Ltd Licence Number: 2670212021/R01 Permit Version: 1 Location: Borehole At Bamber Bridge, Preston Authority: Environment Agency, North West Region Abstraction: Extractive: Process water Abstraction Type: Water may be abstracted from a single point Source: Groundwater Daily Rate (m3): Not Supplied Yearly Rate (m3): Not Supplied Details: Not Supplied Authorised Start: 01 April Authorised End: 31 March Permit Start Date: 1st April 2019 Permit End Date: Not Supplied Positional Accuracy: Located by supplier to within 10m</p>	B10NW (E)	955	2	357009 424577
26	<p>Water Abstractions</p> <p>Operator: Dunbia (Preston) Licence Number: 2670212021 Permit Version: 3 Location: Borehole At Bamber Bridge, Preston Authority: Environment Agency, North West Region Abstraction: Extractive: Process water Abstraction Type: Water may be abstracted from a single point Source: Groundwater Daily Rate (m3): Not Supplied Yearly Rate (m3): Not Supplied Details: Not Supplied Authorised Start: 01 April Authorised End: 31 March Permit Start Date: 27th May 2014 Permit End Date: Not Supplied Positional Accuracy: Located by supplier to within 10m</p>	B10NW (E)	955	2	357009 424577
	<p>Groundwater Vulnerability Map</p> <p>Combined Classification: Secondary Superficial Aquifer - Low Vulnerability Combined Vulnerability: Low Combined Aquifer: Productive Bedrock Aquifer, Productive Superficial Aquifer Pollutant Speed: Low Bedrock Flow: Well Connected Fractures Dilution: >550 mm/year Baseflow Index: <40% Superficial: >90% Patchiness: >10m Superficial Thickness: >10m Superficial Recharge: Low</p>	(W)	0	4	355804 424384

Map ID	Details	Quadrant Reference (Compass Direction)	Estimated Distance From Site	Contact	NGR
	Groundwater Vulnerability Map Combined Classification: Secondary Superficial Aquifer - Low Vulnerability Combined Vulnerability: Low Combined Aquifer: Productive Bedrock Aquifer, Productive Superficial Aquifer Pollutant Speed: Low Bedrock Flow: Well Connected Fractures Dilution: >550 mm/year Baseflow Index: <40% Superficial Patchiness: >90% Superficial Thickness: >10m Superficial Recharge: Low	(W)	0	4	356000 424412
	Groundwater Vulnerability Map Combined Classification: Secondary Superficial Aquifer - Low Vulnerability Combined Vulnerability: Low Combined Aquifer: Productive Bedrock Aquifer, Productive Superficial Aquifer Pollutant Speed: Low Bedrock Flow: Well Connected Fractures Dilution: >550 mm/year Baseflow Index: 40-70% Superficial Patchiness: >90% Superficial Thickness: >10m Superficial Recharge: Low	B9NW (W)	0	4	356255 424389
	Groundwater Vulnerability Map Combined Classification: Secondary Superficial Aquifer - Low Vulnerability Combined Vulnerability: Low Combined Aquifer: Productive Bedrock Aquifer, Productive Superficial Aquifer Pollutant Speed: Low Bedrock Flow: Well Connected Fractures Dilution: 300-550 mm/year Baseflow Index: <40% Superficial Patchiness: >90% Superficial Thickness: >10m Superficial Recharge: High	(NW)	0	4	356000 425000
	Groundwater Vulnerability - Soluble Rock Risk None				
	Bedrock Aquifer Designations Aquifer Designation: Secondary Aquifer - B	B9NW (W)	0	4	356255 424389
	Bedrock Aquifer Designations Aquifer Designation: Secondary Aquifer - B	(NW)	0	4	356205 425000
	Superficial Aquifer Designations Aquifer Designation: Secondary Aquifer - A	(W)	0	4	355804 424384
	Superficial Aquifer Designations Aquifer Designation: Secondary Aquifer - Undifferentiated	B9NE (E)	0	4	356570 424412
	Superficial Aquifer Designations Aquifer Designation: Secondary Aquifer - Undifferentiated	(NW)	0	4	356167 425000
	Extreme Flooding from Rivers or Sea without Defences Type: Extent of Extreme Flooding from Rivers or Sea without Defences Flood Plain Type: Fluvial Models Boundary Accuracy: As Supplied	B13SW (N)	24	2	356499 424798
	Flooding from Rivers or Sea without Defences None				
	Areas Benefiting from Flood Defences None				

Map ID	Details	Quadrant Reference (Compass Direction)	Estimated Distance From Site	Contact	NGR
	Flood Water Storage Areas None				
	Flood Defences None				
27	OS Water Network Lines Watercourse Form: Inland river Watercourse Length: 99.4 Watercourse Level: On ground surface Permanent: True Watercourse Name: Not Supplied Catchment Name: Douglas Primacy: 1	B13SW (NW)	395	5	356381 424833
28	OS Water Network Lines Watercourse Form: Inland river Watercourse Length: 43.0 Watercourse Level: On ground surface Permanent: True Watercourse Name: Not Supplied Catchment Name: Douglas Primacy: 1	B9NW (SW)	400	5	356425 424352
29	OS Water Network Lines Watercourse Form: Lake Watercourse Length: 31.7 Watercourse Level: On ground surface Permanent: True Watercourse Name: Not Supplied Catchment Name: Douglas Primacy: 1	B9NW (W)	412	5	356432 424383
30	OS Water Network Lines Watercourse Form: Lake Watercourse Length: 37.7 Watercourse Level: On ground surface Permanent: True Watercourse Name: Not Supplied Catchment Name: Douglas Primacy: 1	B13SW (NW)	421	5	356336 424918
31	OS Water Network Lines Watercourse Form: Inland river Watercourse Length: 159.7 Watercourse Level: On ground surface Permanent: True Watercourse Name: River Lostock Catchment Name: Douglas Primacy: 1	B13SE (N)	502	5	356551 424847
32	OS Water Network Lines Watercourse Form: Inland river Watercourse Length: 47.4 Watercourse Level: Underground Permanent: True Watercourse Name: River Lostock Catchment Name: Douglas Primacy: 1	B13SW (N)	510	5	356433 424946
33	OS Water Network Lines Watercourse Form: Inland river Watercourse Length: 485.7 Watercourse Level: On ground surface Permanent: True Watercourse Name: River Lostock Catchment Name: Douglas Primacy: 1	B13NW (N)	545	5	356437 424993
34	OS Water Network Lines Watercourse Form: Inland river Watercourse Length: 188.7 Watercourse Level: Underground Permanent: True Watercourse Name: River Lostock Catchment Name: Douglas Primacy: 1	B13SE (N)	553	5	356697 424728

Map ID	Details	Quadrant Reference (Compass Direction)	Estimated Distance From Site	Contact	NGR
35	OS Water Network Lines Watercourse Form: Inland river Watercourse Length: 2.1 Watercourse Level: On ground surface Permanent: True Watercourse Name: Not Supplied Catchment Name: Douglas Primacy: 1	B9NE (N)	562	5	356616 424609
36	OS Water Network Lines Watercourse Form: Inland river Watercourse Length: 20.0 Watercourse Level: On ground surface Permanent: True Watercourse Name: Not Supplied Catchment Name: Douglas Primacy: 2	B9NE (N)	564	5	356618 424609
37	OS Water Network Lines Watercourse Form: Inland river Watercourse Length: 121.3 Watercourse Level: On ground surface Permanent: True Watercourse Name: Not Supplied Catchment Name: Douglas Primacy: 1	B9NE (N)	564	5	356622 424607
38	OS Water Network Lines Watercourse Form: Inland river Watercourse Length: 97.4 Watercourse Level: On ground surface Permanent: True Watercourse Name: Not Supplied Catchment Name: Douglas Primacy: 1	B13NW (N)	586	5	356420 425102
39	OS Water Network Lines Watercourse Form: Inland river Watercourse Length: 147.4 Watercourse Level: On ground surface Permanent: True Watercourse Name: Not Supplied Catchment Name: Douglas Primacy: 1	B9NE (E)	640	5	356667 424385
40	OS Water Network Lines Watercourse Form: Inland river Watercourse Length: 266.7 Watercourse Level: Not Supplied Permanent: True Watercourse Name: Not Supplied Catchment Name: Douglas Primacy: 1	B13NW (N)	652	5	356432 425214
41	OS Water Network Lines Watercourse Form: Inland river Watercourse Length: 11.1 Watercourse Level: On ground surface Permanent: True Watercourse Name: River Lostock Catchment Name: Douglas Primacy: 1	B13SE (N)	655	5	356697 424728
42	OS Water Network Lines Watercourse Form: Inland river Watercourse Length: 16.6 Watercourse Level: On ground surface Permanent: True Watercourse Name: River Lostock Catchment Name: Douglas Primacy: 2	B13SE (NE)	664	5	356708 424724
43	OS Water Network Lines Watercourse Form: Inland river Watercourse Length: 43.9 Watercourse Level: On ground surface Permanent: True Watercourse Name: River Lostock Catchment Name: Douglas Primacy: 1	B13SE (NE)	664	5	356735 424690

Map ID	Details	Quadrant Reference (Compass Direction)	Estimated Distance From Site	Contact	NGR
44	OS Water Network Lines Watercourse Form: Inland river Watercourse Length: 21.6 Watercourse Level: Underground Permanent: True Watercourse Name: River Lostock Catchment Name: Douglas Primacy: 2	B13SE (NE)	680	5	356723 424731
45	OS Water Network Lines Watercourse Form: Inland river Watercourse Length: 8.8 Watercourse Level: Underground Permanent: True Watercourse Name: Not Supplied Catchment Name: Douglas Primacy: 1	B9NE (NE)	681	5	356735 424578
46	OS Water Network Lines Watercourse Form: Inland river Watercourse Length: 39.2 Watercourse Level: On ground surface Permanent: True Watercourse Name: River Lostock Catchment Name: Douglas Primacy: 1	B13SE (NE)	685	5	356748 424654
47	OS Water Network Lines Watercourse Form: Inland river Watercourse Length: 44.0 Watercourse Level: On ground surface Permanent: True Watercourse Name: River Lostock Catchment Name: Douglas Primacy: 2	B13SE (NE)	686	5	356748 424654
48	OS Water Network Lines Watercourse Form: Inland river Watercourse Length: 35.9 Watercourse Level: On ground surface Permanent: True Watercourse Name: River Lostock Catchment Name: Douglas Primacy: 2	B13SE (NE)	686	5	356735 424690
49	OS Water Network Lines Watercourse Form: Inland river Watercourse Length: 16.5 Watercourse Level: On ground surface Permanent: True Watercourse Name: Not Supplied Catchment Name: Douglas Primacy: 1	B9NE (NE)	690	5	356743 424575
50	OS Water Network Lines Watercourse Form: Inland river Watercourse Length: 83.8 Watercourse Level: On ground surface Permanent: True Watercourse Name: River Lostock Catchment Name: Douglas Primacy: 1	B9NE (NE)	696	5	356759 424571
51	OS Water Network Lines Watercourse Form: Inland river Watercourse Length: 5.1 Watercourse Level: On ground surface Permanent: True Watercourse Name: River Lostock Catchment Name: Douglas Primacy: 2	B13SE (NE)	698	5	356747 424721
52	OS Water Network Lines Watercourse Form: Inland river Watercourse Length: 8.2 Watercourse Level: Underground Permanent: True Watercourse Name: River Lostock Catchment Name: Douglas Primacy: 2	B13SE (NE)	702	5	356753 424715

Map ID	Details	Quadrant Reference (Compass Direction)	Estimated Distance From Site	Contact	NGR
53	OS Water Network Lines Watercourse Form: Inland river Watercourse Length: 35.7 Watercourse Level: On ground surface Permanent: True Watercourse Name: Not Supplied Catchment Name: Douglas Primacy: 1	B9NE (E)	706	5	356729 424358
54	OS Water Network Lines Watercourse Form: Inland river Watercourse Length: 7.1 Watercourse Level: On ground surface Permanent: True Watercourse Name: River Lostock Catchment Name: Douglas Primacy: 1	B9NE (NE)	706	5	356759 424565
55	OS Water Network Lines Watercourse Form: Inland river Watercourse Length: 174.4 Watercourse Level: Underground Permanent: True Watercourse Name: River Lostock Catchment Name: Douglas Primacy: 1	B9NE (E)	706	5	356765 424420
56	OS Water Network Lines Watercourse Form: Inland river Watercourse Length: 247.2 Watercourse Level: On ground surface Permanent: True Watercourse Name: Not Supplied Catchment Name: Douglas Primacy: 1	B9NE (NE)	706	5	356759 424571
57	OS Water Network Lines Watercourse Form: Inland river Watercourse Length: 49.2 Watercourse Level: On ground surface Permanent: True Watercourse Name: Not Supplied Catchment Name: Douglas Primacy: 1	B9NE (E)	707	5	356730 424359
58	OS Water Network Lines Watercourse Form: Lake Watercourse Length: 17.4 Watercourse Level: On ground surface Permanent: True Watercourse Name: Not Supplied Catchment Name: Douglas Primacy: 1	B9NE (SE)	708	5	356724 424323
59	OS Water Network Lines Watercourse Form: Inland river Watercourse Length: 79.9 Watercourse Level: On ground surface Permanent: True Watercourse Name: Not Supplied Catchment Name: Douglas Primacy: 1	B13NW (N)	716	5	356507 425190
60	OS Water Network Lines Watercourse Form: Inland river Watercourse Length: 257.8 Watercourse Level: On ground surface Permanent: True Watercourse Name: River Lostock Catchment Name: Douglas Primacy: 1	B9NE (E)	732	5	356766 424386
61	OS Water Network Lines Watercourse Form: Inland river Watercourse Length: 2.9 Watercourse Level: On ground surface Permanent: True Watercourse Name: Not Supplied Catchment Name: Douglas Primacy: 1	B13NW (N)	740	5	356507 425190

Map ID	Details	Quadrant Reference (Compass Direction)	Estimated Distance From Site	Contact	NGR
62	OS Water Network Lines Watercourse Form: Inland river Watercourse Length: 77.9 Watercourse Level: On ground surface Permanent: True Watercourse Name: Not Supplied Catchment Name: Douglas Primacy: 1	B13NE (N)	742	5	356584 425168
63	OS Water Network Lines Watercourse Form: Inland river Watercourse Length: 78.7 Watercourse Level: On ground surface Permanent: True Watercourse Name: Clayton Brook Catchment Name: Douglas Primacy: 1	B9SE (SE)	744	5	356738 424250
64	OS Water Network Lines Watercourse Form: Inland river Watercourse Length: 271.3 Watercourse Level: On ground surface Permanent: True Watercourse Name: River Lostock Catchment Name: Douglas Primacy: 1	B9SE (SE)	744	5	356738 424250
65	OS Water Network Lines Watercourse Form: Inland river Watercourse Length: 17.3 Watercourse Level: On ground surface Permanent: True Watercourse Name: Not Supplied Catchment Name: Douglas Primacy: 1	B9SE (SE)	819	5	356812 424233
66	OS Water Network Lines Watercourse Form: Inland river Watercourse Length: 15.6 Watercourse Level: On ground surface Permanent: True Watercourse Name: Clayton Brook Catchment Name: Douglas Primacy: 1	B9SE (SE)	819	5	356812 424233
67	OS Water Network Lines Watercourse Form: Inland river Watercourse Length: 223.6 Watercourse Level: On ground surface Permanent: True Watercourse Name: Not Supplied Catchment Name: Douglas Primacy: 1	B9SE (SE)	825	5	356821 424217
68	OS Water Network Lines Watercourse Form: Inland river Watercourse Length: 24.2 Watercourse Level: Underground Permanent: True Watercourse Name: Clayton Brook Catchment Name: Douglas Primacy: 1	B9SE (SE)	835	5	356827 424226
69	OS Water Network Lines Watercourse Form: Lake Watercourse Length: 141.7 Watercourse Level: On ground surface Permanent: True Watercourse Name: Clayton Brook Catchment Name: Douglas Primacy: 1	B9SE (SE)	857	5	356845 424210
70	OS Water Network Lines Watercourse Form: Inland river Watercourse Length: 292.3 Watercourse Level: On ground surface Permanent: True Watercourse Name: River Lostock Catchment Name: Douglas Primacy: 1	B9SE (SE)	869	5	356776 423994

Map ID	Details	Quadrant Reference (Compass Direction)	Estimated Distance From Site	Contact	NGR
71	OS Water Network Lines Watercourse Form: Inland river Watercourse Length: 88.7 Watercourse Level: On ground surface Permanent: True Watercourse Name: Not Supplied Catchment Name: Douglas Primacy: 1	B9SE (SE)	871	5	356776 423994
72	OS Water Network Lines Watercourse Form: Inland river Watercourse Length: 7.2 Watercourse Level: On ground surface Permanent: True Watercourse Name: Not Supplied Catchment Name: Douglas Primacy: 1	B5NE (S)	956	5	356773 423801
73	OS Water Network Lines Watercourse Form: Inland river Watercourse Length: 85.6 Watercourse Level: On ground surface Permanent: True Watercourse Name: River Lostock Catchment Name: Douglas Primacy: 1	B5NE (S)	960	5	356776 423794
74	OS Water Network Lines Watercourse Form: Inland river Watercourse Length: 20.5 Watercourse Level: On ground surface Permanent: True Watercourse Name: River Lostock Catchment Name: Douglas Primacy: 1	B5NE (S)	961	5	356776 423794
75	OS Water Network Lines Watercourse Form: Inland river Watercourse Length: 74.9 Watercourse Level: On ground surface Permanent: True Watercourse Name: Not Supplied Catchment Name: Douglas Primacy: 1	B14NW (NE)	971	5	356899 425083
76	OS Water Network Lines Watercourse Form: Inland river Watercourse Length: 198.0 Watercourse Level: On ground surface Permanent: True Watercourse Name: River Lostock Catchment Name: Douglas Primacy: 1	B5NE (S)	976	5	356762 423719
77	OS Water Network Lines Watercourse Form: Inland river Watercourse Length: 27.9 Watercourse Level: On ground surface Permanent: True Watercourse Name: Not Supplied Catchment Name: Douglas Primacy: 1	B5NE (S)	980	5	356796 423792
78	OS Water Network Lines Watercourse Form: Inland river Watercourse Length: 18.0 Watercourse Level: On ground surface Permanent: True Watercourse Name: Not Supplied Catchment Name: Douglas Primacy: 1	B14SW (NE)	992	5	357003 424911
79	OS Water Network Lines Watercourse Form: Inland river Watercourse Length: 116.7 Watercourse Level: On ground surface Permanent: True Watercourse Name: River Lostock Catchment Name: Douglas Primacy: 1	B5SE (S)	995	5	356721 423619

Map ID	Details	Quadrant Reference (Compass Direction)	Estimated Distance From Site	Contact	NGR
80	OS Water Network Lines Watercourse Form: Inland river Watercourse Length: 53.5 Watercourse Level: On ground surface Permanent: True Watercourse Name: Clayton Brook Catchment Name: Douglas Primacy: 1	B10SW (SE)	995	5	356977 424171
81	OS Water Network Lines Watercourse Form: Inland river Watercourse Length: 3.4 Watercourse Level: Underground Permanent: True Watercourse Name: Not Supplied Catchment Name: Douglas Primacy: 1	B14SW (NE)	996	5	357003 424911
82	OS Water Network Lines Watercourse Form: Inland river Watercourse Length: 30.7 Watercourse Level: On ground surface Permanent: True Watercourse Name: Not Supplied Catchment Name: Douglas Primacy: 1	B14SW (NE)	998	5	357023 424884

Map ID	Details	Quadrant Reference (Compass Direction)	Estimated Distance From Site	Contact	NGR
	Local Authority Landfill Coverage Name: South Ribble Borough Council - Has supplied landfill data		0	3	356430 424559
	Local Authority Landfill Coverage Name: Lancashire County Council - Had landfill data but passed it to the relevant environment agency		0	6	356570 424412
	Local Authority Landfill Coverage Name: Chorley Borough Council - Has no landfill data to supply		53	7	356570 424412
83	Potentially Infilled Land (Non-Water) Bearing Ref: N Use: Unknown Filled Ground (Pit, quarry etc) Date of Mapping: 1988	B13NW (N)	539	-	356233 425242
84	Potentially Infilled Land (Non-Water) Bearing Ref: NE Use: Unknown Filled Ground (Pit, quarry etc) Date of Mapping: 1992	B14SW (NE)	834	-	356887 424649
85	Potentially Infilled Land (Water) Use: Unknown Filled Ground (Pond, marsh, river, stream, dock etc) Date of Mapping: 1914	B9NW (W)	228	-	356249 424414
86	Potentially Infilled Land (Water) Use: Unknown Filled Ground (Pond, marsh, river, stream, dock etc) Date of Mapping: 1955	B9NW (W)	254	-	356264 424372
87	Potentially Infilled Land (Water) Use: Unknown Filled Ground (Pond, marsh, river, stream, dock etc) Date of Mapping: 1955	B13SW (NW)	290	-	356315 424731
88	Potentially Infilled Land (Water) Use: Unknown Filled Ground (Pond, marsh, river, stream, dock etc) Date of Mapping: 1955	B5NW (SW)	443	-	356222 423911
89	Potentially Infilled Land (Water) Use: Unknown Filled Ground (Pond, marsh, river, stream, dock etc) Date of Mapping: 1955	B9SW (S)	490	-	356448 424105
90	Potentially Infilled Land (Water) Use: Unknown Filled Ground (Pond, marsh, river, stream, dock etc) Date of Mapping: 1955	B13SE (N)	533	-	356571 424833
91	Potentially Infilled Land (Water) Use: Unknown Filled Ground (Pond, marsh, river, stream, dock etc) Date of Mapping: 1894	B9NE (S)	560	-	356583 424373
92	Potentially Infilled Land (Water) Use: Unknown Filled Ground (Pond, marsh, river, stream, dock etc) Date of Mapping: 1956	B13NW (N)	568	-	356431 425031
93	Potentially Infilled Land (Water) Use: Unknown Filled Ground (Pond, marsh, river, stream, dock etc) Date of Mapping: 1955	B13SE (N)	572	-	356665 424756
94	Potentially Infilled Land (Water) Use: Unknown Filled Ground (Pond, marsh, river, stream, dock etc) Date of Mapping: 1956	B13NW (N)	574	-	356311 425118
95	Potentially Infilled Land (Water) Use: Unknown Filled Ground (Pond, marsh, river, stream, dock etc) Date of Mapping: 1955	B13SE (N)	602	-	356666 424706
96	Potentially Infilled Land (Water) Use: Unknown Filled Ground (Pond, marsh, river, stream, dock etc) Date of Mapping: 1955	B5SW (S)	726	-	356246 423588
97	Potentially Infilled Land (Water) Use: Unknown Filled Ground (Pond, marsh, river, stream, dock etc) Date of Mapping: 1912	B5SW (S)	735	-	356314 423616
98	Potentially Infilled Land (Water) Use: Unknown Filled Ground (Pond, marsh, river, stream, dock etc) Date of Mapping: 1848	B5NE (S)	753	-	356562 423840
99	Potentially Infilled Land (Water) Use: Unknown Filled Ground (Pond, marsh, river, stream, dock etc) Date of Mapping: 1955	B5SW (S)	780	-	356412 423630

Map ID	Details	Quadrant Reference (Compass Direction)	Estimated Distance From Site	Contact	NGR
100	Potentially Infilled Land (Water) Use: Unknown Filled Ground (Pond, marsh, river, stream, dock etc) Date of Mapping: 1955	B13SE (NE)	818	-	356853 424784
101	Potentially Infilled Land (Water) Use: Unknown Filled Ground (Pond, marsh, river, stream, dock etc) Date of Mapping: 1956	B13NE (NE)	884	-	356837 425017
102	Potentially Infilled Land (Water) Use: Unknown Filled Ground (Pond, marsh, river, stream, dock etc) Date of Mapping: 1956	B13NE (N)	886	-	356827 425039
103	Potentially Infilled Land (Water) Use: Unknown Filled Ground (Pond, marsh, river, stream, dock etc) Date of Mapping: 1894	B13NE (N)	915	-	356630 425316
104	Potentially Infilled Land (Water) Use: Unknown Filled Ground (Pond, marsh, river, stream, dock etc) Date of Mapping: 1955	B10NW (NE)	925	-	356979 424620
105	Potentially Infilled Land (Water) Use: Unknown Filled Ground (Pond, marsh, river, stream, dock etc) Date of Mapping: 1956	B13NE (N)	930	-	356686 425288
106	Potentially Infilled Land (Water) Use: Unknown Filled Ground (Pond, marsh, river, stream, dock etc) Date of Mapping: 1955	B14SW (NE)	949	-	357036 424869
107	Potentially Infilled Land (Water) Use: Unknown Filled Ground (Pond, marsh, river, stream, dock etc) Date of Mapping: 1955	B10SW (SE)	976	-	356951 424152
108	Potentially Infilled Land (Water) Use: Unknown Filled Ground (Pond, marsh, river, stream, dock etc) Date of Mapping: 1956	B14NW (NE)	989	-	356947 425031

Map ID	Details	Quadrant Reference (Compass Direction)	Estimated Distance From Site	Contact	NGR
	<p>BGS Estimated Soil Chemistry</p> <p>Source: British Geological Survey, National Geoscience Information Service</p> <p>Soil Sample Type: Rural Soil and Sediment</p> <p>Arsenic <15 mg/kg</p> <p>Concentration:</p> <p>Cadmium <1.8 mg/kg</p> <p>Concentration:</p> <p>Chromium 90 - 120 mg/kg</p> <p>Concentration:</p> <p>Lead Concentration: <100 mg/kg</p> <p>Nickel 15 - 30 mg/kg</p> <p>Concentration:</p>	B9NE (E)	0	1	356570 424412
	<p>BGS Estimated Soil Chemistry</p> <p>Source: British Geological Survey, National Geoscience Information Service</p> <p>Soil Sample Type: Rural Soil and Sediment</p> <p>Arsenic <15 mg/kg</p> <p>Concentration:</p> <p>Cadmium <1.8 mg/kg</p> <p>Concentration:</p> <p>Chromium 90 - 120 mg/kg</p> <p>Concentration:</p> <p>Lead Concentration: <100 mg/kg</p> <p>Nickel 15 - 30 mg/kg</p> <p>Concentration:</p>	B10NW (E)	166	1	356884 424538
	<p>BGS Estimated Soil Chemistry</p> <p>Source: British Geological Survey, National Geoscience Information Service</p> <p>Soil Sample Type: Rural Soil and Sediment</p> <p>Arsenic <15 mg/kg</p> <p>Concentration:</p> <p>Cadmium <1.8 mg/kg</p> <p>Concentration:</p> <p>Chromium 60 - 90 mg/kg</p> <p>Concentration:</p> <p>Lead Concentration: <100 mg/kg</p> <p>Nickel 15 - 30 mg/kg</p> <p>Concentration:</p>	B9NE (E)	242	1	356653 424383
	<p>BGS Estimated Soil Chemistry</p> <p>Source: British Geological Survey, National Geoscience Information Service</p> <p>Soil Sample Type: Rural Soil and Sediment</p> <p>Arsenic <15 mg/kg</p> <p>Concentration:</p> <p>Cadmium <1.8 mg/kg</p> <p>Concentration:</p> <p>Chromium 60 - 90 mg/kg</p> <p>Concentration:</p> <p>Lead Concentration: <100 mg/kg</p> <p>Nickel <15 mg/kg</p> <p>Concentration:</p>	B9NE (E)	350	1	356716 424394
	<p>BGS Estimated Soil Chemistry</p> <p>Source: British Geological Survey, National Geoscience Information Service</p> <p>Soil Sample Type: Rural Soil and Sediment</p> <p>Arsenic <15 mg/kg</p> <p>Concentration:</p> <p>Cadmium <1.8 mg/kg</p> <p>Concentration:</p> <p>Chromium 60 - 90 mg/kg</p> <p>Concentration:</p> <p>Lead Concentration: <100 mg/kg</p> <p>Nickel 15 - 30 mg/kg</p> <p>Concentration:</p>	B9NE (E)	589	1	356839 424364
	<p>BGS Estimated Soil Chemistry</p> <p>Source: British Geological Survey, National Geoscience Information Service</p> <p>Soil Sample Type: Rural Soil and Sediment</p> <p>Arsenic <15 mg/kg</p> <p>Concentration:</p> <p>Cadmium <1.8 mg/kg</p> <p>Concentration:</p> <p>Chromium 90 - 120 mg/kg</p> <p>Concentration:</p> <p>Lead Concentration: <100 mg/kg</p> <p>Nickel 15 - 30 mg/kg</p> <p>Concentration:</p>	B9SE (SE)	699	1	356702 424283

Map ID	Details	Quadrant Reference (Compass Direction)	Estimated Distance From Site	Contact	NGR
	BGS Estimated Soil Chemistry Source: British Geological Survey, National Geoscience Information Service Soil Sample Type: Rural Soil and Sediment Arsenic <15 mg/kg Concentration: Cadmium <1.8 mg/kg Concentration: Chromium 60 - 90 mg/kg Concentration: Lead Concentration: <100 mg/kg Nickel 15 - 30 mg/kg Concentration:	B9SE (SE)	775	1	356729 424131
	BGS Estimated Soil Chemistry Source: British Geological Survey, National Geoscience Information Service Soil Sample Type: Rural Soil and Sediment Arsenic 15 - 25 mg/kg Concentration: Cadmium <1.8 mg/kg Concentration: Chromium 60 - 90 mg/kg Concentration: Lead Concentration: <100 mg/kg Nickel <15 mg/kg Concentration:	B9SE (S)	833	1	356738 424000
	BGS Estimated Soil Chemistry Source: British Geological Survey, National Geoscience Information Service Soil Sample Type: Rural Soil and Sediment Arsenic <15 mg/kg Concentration: Cadmium <1.8 mg/kg Concentration: Chromium 60 - 90 mg/kg Concentration: Lead Concentration: <100 mg/kg Nickel 15 - 30 mg/kg Concentration:	B9SE (SE)	915	1	356826 423999
	BGS Estimated Soil Chemistry Source: British Geological Survey, National Geoscience Information Service Soil Sample Type: Rural Soil and Sediment Arsenic 15 - 25 mg/kg Concentration: Cadmium <1.8 mg/kg Concentration: Chromium 60 - 90 mg/kg Concentration: Lead Concentration: <100 mg/kg Nickel <15 mg/kg Concentration:	B9SE (SE)	944	1	356857 424000
	BGS Estimated Soil Chemistry Source: British Geological Survey, National Geoscience Information Service Soil Sample Type: Rural Soil and Sediment Arsenic 15 - 25 mg/kg Concentration: Cadmium <1.8 mg/kg Concentration: Chromium 60 - 90 mg/kg Concentration: Lead Concentration: <100 mg/kg Nickel <15 mg/kg Concentration:	B10SW (E)	997	1	357000 424242
	BGS Measured Urban Soil Chemistry No data available				
	BGS Urban Soil Chemistry Averages No data available				
	Coal Mining Affected Areas In an area that might not be affected by coal mining				
	Non Coal Mining Areas of Great Britain No Hazard				
	Potential for Collapsible Ground Stability Hazards Hazard Potential: Very Low Source: British Geological Survey, National Geoscience Information Service	B13NW (NW)	0	1	356270 425000

Map ID	Details	Quadrant Reference (Compass Direction)	Estimated Distance From Site	Contact	NGR
	Potential for Collapsible Ground Stability Hazards Hazard Potential: Very Low Source: British Geological Survey, National Geoscience Information Service	B9NE (E)	0	1	356570 424412
	Potential for Collapsible Ground Stability Hazards Hazard Potential: No Hazard Source: British Geological Survey, National Geoscience Information Service	B13NW (N)	15	1	356482 425000
	Potential for Collapsible Ground Stability Hazards Hazard Potential: Very Low Source: British Geological Survey, National Geoscience Information Service	B13NE (N)	122	1	356570 425000
	Potential for Compressible Ground Stability Hazards Hazard Potential: No Hazard Source: British Geological Survey, National Geoscience Information Service	B13NW (NW)	0	1	356270 425000
	Potential for Compressible Ground Stability Hazards Hazard Potential: No Hazard Source: British Geological Survey, National Geoscience Information Service	B9NE (E)	0	1	356570 424412
	Potential for Compressible Ground Stability Hazards Hazard Potential: Moderate Source: British Geological Survey, National Geoscience Information Service	B13NW (N)	15	1	356482 425000
	Potential for Compressible Ground Stability Hazards Hazard Potential: No Hazard Source: British Geological Survey, National Geoscience Information Service	B13NE (N)	122	1	356570 425000
	Potential for Ground Dissolution Stability Hazards Hazard Potential: No Hazard Source: British Geological Survey, National Geoscience Information Service	B9NE (E)	0	1	356570 424412
	Potential for Ground Dissolution Stability Hazards Hazard Potential: No Hazard Source: British Geological Survey, National Geoscience Information Service	B13NE (N)	0	1	356570 425000
	Potential for Landslide Ground Stability Hazards Hazard Potential: Very Low Source: British Geological Survey, National Geoscience Information Service	B13NE (N)	0	1	356570 425000
	Potential for Landslide Ground Stability Hazards Hazard Potential: Very Low Source: British Geological Survey, National Geoscience Information Service	B9NE (E)	0	1	356628 424422
	Potential for Landslide Ground Stability Hazards Hazard Potential: Low Source: British Geological Survey, National Geoscience Information Service	B9NW (NW)	35	1	356424 424479
	Potential for Landslide Ground Stability Hazards Hazard Potential: Very Low Source: British Geological Survey, National Geoscience Information Service	B9NW (NW)	83	1	356252 424619
	Potential for Landslide Ground Stability Hazards Hazard Potential: Low Source: British Geological Survey, National Geoscience Information Service	B9SW (SW)	88	1	356401 424134
	Potential for Landslide Ground Stability Hazards Hazard Potential: Low Source: British Geological Survey, National Geoscience Information Service	B9NW (W)	216	1	356347 424399
	Potential for Landslide Ground Stability Hazards Hazard Potential: Very Low Source: British Geological Survey, National Geoscience Information Service	B9NW (NW)	216	1	356294 424604
	Potential for Running Sand Ground Stability Hazards Hazard Potential: Very Low Source: British Geological Survey, National Geoscience Information Service	B13NW (NW)	0	1	356270 425000
	Potential for Running Sand Ground Stability Hazards Hazard Potential: Very Low Source: British Geological Survey, National Geoscience Information Service	B9NE (E)	0	1	356570 424412
	Potential for Running Sand Ground Stability Hazards Hazard Potential: Low Source: British Geological Survey, National Geoscience Information Service	B13NW (N)	15	1	356482 425000
	Potential for Running Sand Ground Stability Hazards Hazard Potential: Very Low Source: British Geological Survey, National Geoscience Information Service	B13NE (N)	122	1	356570 425000
	Potential for Shrinking or Swelling Clay Ground Stability Hazards Hazard Potential: Very Low Source: British Geological Survey, National Geoscience Information Service	B9NE (E)	0	1	356570 424412

Map ID	Details	Quadrant Reference (Compass Direction)	Estimated Distance From Site	Contact	NGR
	Potential for Shrinking or Swelling Clay Ground Stability Hazards Hazard Potential: Very Low Source: British Geological Survey, National Geoscience Information Service	B13NE (N)	0	1	356570 425000
	Radon Potential - Radon Affected Areas Affected Area: The property is in a Lower probability radon area (less than 1% of homes are estimated to be at or above the Action Level). Source: British Geological Survey, National Geoscience Information Service	B13NE (N)	0	1	356570 425001
	Radon Potential - Radon Affected Areas Affected Area: The property is in a Lower probability radon area (less than 1% of homes are estimated to be at or above the Action Level). Source: British Geological Survey, National Geoscience Information Service	B9NE (E)	0	1	356570 424412
	Radon Potential - Radon Protection Measures Protection Measure: No radon protective measures are necessary in the construction of new dwellings or extensions Source: British Geological Survey, National Geoscience Information Service	B13NE (N)	0	1	356570 425001
	Radon Potential - Radon Protection Measures Protection Measure: No radon protective measures are necessary in the construction of new dwellings or extensions Source: British Geological Survey, National Geoscience Information Service	B9NE (E)	0	1	356570 424412

Map ID	Details	Quadrant Reference (Compass Direction)	Estimated Distance From Site	Contact	NGR
109	Contemporary Trade Directory Entries Name: P B Battery Services Ltd Location: The Cottage, Berkeley Drive, Bamber Bridge, Preston, PR5 6BY Classification: Fork Lift Trucks Status: Inactive Positional Accuracy: Automatically positioned to the address	B5NW (S)	626	-	356294 423734
109	Contemporary Trade Directory Entries Name: P J Fork Trucks Ltd Location: The Walled Garden, Berkeley Drive, Bamber Bridge, Preston, PR5 6BY Classification: Fork Lift Trucks Status: Active Positional Accuracy: Automatically positioned to the address	B5NW (S)	650	-	356320 423723
110	Contemporary Trade Directory Entries Name: Kepak Location: Church Road, Bamber Bridge, Preston, PR5 6AJ Classification: Meat - Wholesale Status: Inactive Positional Accuracy: Automatically positioned in the proximity of the address	B13NE (N)	717	-	356627 425036
111	Contemporary Trade Directory Entries Name: Greenclean Location: 4, Church Mews, Bamber Bridge, Preston, PR5 6EN Classification: Carpet, Curtain & Upholstery Cleaners Status: Inactive Positional Accuracy: Automatically positioned to the address	B13NW (N)	718	-	356514 425158
112	Contemporary Trade Directory Entries Name: F R Accident Repairs Specialist Location: 2, Spinners Square, Bamber Bridge, Preston, PR5 6EQ Classification: Car Body Repairs Status: Inactive Positional Accuracy: Automatically positioned to the address	B13NW (N)	787	-	356406 425309
112	Contemporary Trade Directory Entries Name: Specialised Motor Bodies Location: 1a Spinners Sq, Bamber Bridge, Preston, Lancashire, PR5 6EQ Classification: Car Body Repairs Status: Inactive Positional Accuracy: Manually positioned to the road within the address or location	B13NW (N)	795	-	356419 425311
113	Contemporary Trade Directory Entries Name: Baxi Group Ltd Location: Canteen, Baxi Partnership Limited, Club Street, Bamber Bridge, PR5 6FN Classification: Boiler Manufacturers Status: Inactive Positional Accuracy: Automatically positioned to the address	B13NW (N)	861	-	356542 425315
114	Contemporary Trade Directory Entries Name: Dunbia Location: Church Road, Bamber Bridge, PRESTON, PR5 6AJ Classification: Abattoirs Status: Active Positional Accuracy: Automatically positioned to the address	B14SW (NE)	925	-	356977 424676
115	Points of Interest - Commercial Services Name: F R Accident Repairs Specialist Location: 2 Spinners Square, Bamber Bridge, Preston, PR5 6EQ Category: Repair and Servicing Class Code: Vehicle Repair, Testing and Servicing Positional Accuracy: Positioned to address or location	B13NW (N)	787	8	356406 425309
115	Points of Interest - Commercial Services Name: Marshalls Accident Repairs Specialist Location: 2 Spinners Square, Bamber Bridge, Preston, PR5 6EQ Category: Repair and Servicing Class Code: Vehicle Repair, Testing and Servicing Positional Accuracy: Positioned to address or location	B13NW (N)	787	8	356406 425309
115	Points of Interest - Commercial Services Name: Spealised Motor Bodys Location: 2 Spinners Square, Bamber Bridge, Preston, PR5 6EQ Category: Repair and Servicing Class Code: Vehicle Repair, Testing and Servicing Positional Accuracy: Positioned to address or location	B13NW (N)	787	8	356406 425309
116	Points of Interest - Manufacturing and Production Name: Tank Location: PR5 Category: Industrial Features Class Code: Tanks (Generic) Positional Accuracy: Positioned to address or location	B13NE (N)	706	8	356592 425063

Map ID	Details	Quadrant Reference (Compass Direction)	Estimated Distance From Site	Contact	NGR
117	Points of Interest - Manufacturing and Production Name: Works Location: Not Supplied Category: Industrial Features Class Code: Unspecified Works Or Factories Positional Accuracy: Positioned to an adjacent address or location	B13NW (N)	796	8	356481 425277
117	Points of Interest - Manufacturing and Production Name: Works Location: PR5 Category: Industrial Features Class Code: Unspecified Works Or Factories Positional Accuracy: Positioned to an adjacent address or location	B13NW (N)	796	8	356481 425277
118	Points of Interest - Manufacturing and Production Name: Tank Location: PR5 Category: Industrial Features Class Code: Tanks (Generic) Positional Accuracy: Positioned to address or location	B10NW (E)	948	8	357002 424587
118	Points of Interest - Manufacturing and Production Name: Tank Location: PR5 Category: Industrial Features Class Code: Tanks (Generic) Positional Accuracy: Positioned to address or location	B10NW (E)	954	8	357008 424582
118	Points of Interest - Manufacturing and Production Name: Tanks Location: PR5 Category: Industrial Features Class Code: Tanks (Generic) Positional Accuracy: Positioned to an adjacent address or location	B10NW (E)	962	8	357016 424574
119	Points of Interest - Public Infrastructure Name: Cemetery Location: Not Supplied Category: Infrastructure and Facilities Class Code: Cemeteries and Crematoria Positional Accuracy: Positioned to an adjacent address or location	B13NE (N)	729	8	356551 425139
119	Points of Interest - Public Infrastructure Name: Cemetery Location: PR5 Category: Infrastructure and Facilities Class Code: Cemeteries and Crematoria Positional Accuracy: Positioned to an adjacent address or location	B13NE (N)	729	8	356551 425139

Map ID	Details	Quadrant Reference (Compass Direction)	Estimated Distance From Site	Contact	NGR
120	Areas of Adopted Green Belt Authority: South Ribble Borough Council Plan Name: Site Allocations Status: Adopted Plan Date: 22nd July 2015	B9NW (NW)	0	10	356433 424560
121	Areas of Adopted Green Belt Authority: Chorley Borough Council, Development Control Section Plan Name: Proposal Map Status: Adopted Plan Date: 21st July 2015	B9NE (E)	51	7	356570 424412

Agency & Hydrological	Version	Update Cycle
Contaminated Land Register Entries and Notices Environment Agency - Head Office Chorley Borough Council - Environmental Health Department South Ribble Borough Council - Environmental Health Department	June 2020 September 2017 September 2017	Annually Annual Rolling Update Annual Rolling Update
Discharge Consents Environment Agency - North West Region	October 2021	Quarterly
Enforcement and Prohibition Notices Environment Agency - North West Region	March 2013	
Integrated Pollution Controls Environment Agency - North West Region	January 2009	
Integrated Pollution Prevention And Control Environment Agency - North West Region	October 21	Quarterly
Local Authority Integrated Pollution Prevention And Control Chorley Borough Council - Environmental Health Department South Ribble Borough Council - Environmental Health Department	June 2014 September 2014	Variable Variable
Local Authority Pollution Prevention and Controls Chorley Borough Council - Environmental Health Department South Ribble Borough Council - Environmental Health Department	June 2014 September 2014	Not Applicable Annual Rolling Update
Local Authority Pollution Prevention and Control Enforcements Chorley Borough Council - Environmental Health Department South Ribble Borough Council - Environmental Health Department	June 2014 September 2014	Variable Variable
Nearest Surface Water Feature Ordnance Survey	October 2021	
Pollution Incidents to Controlled Waters Environment Agency - North West Region	January 2000	
Prosecutions Relating to Authorised Processes Environment Agency - North West Region	July 2015	
Prosecutions Relating to Controlled Waters Environment Agency - North West Region	March 2013	
Registered Radioactive Substances Environment Agency - North West Region	June 2016	As notified
River Quality Environment Agency - Head Office	November 2001	Not Applicable
River Quality Biology Sampling Points Environment Agency - Head Office	April 2012	Annually
River Quality Chemistry Sampling Points Environment Agency - Head Office	April 2012	Annually
Substantiated Pollution Incident Register Environment Agency - North West Region - Central Area Environment Agency - North West Region - North Area	October 2021 October 2021	Quarterly Quarterly
Water Abstractions Environment Agency - North West Region	October 2021	Quarterly
Water Industry Act Referrals Environment Agency - North West Region	October 2017	
Groundwater Vulnerability Map Environment Agency - Head Office	June 2018	As notified
Bedrock Aquifer Designations Environment Agency - Head Office	January 2018	Annually
Superficial Aquifer Designations Environment Agency - Head Office	January 2018	Annually

Agency & Hydrological	Version	Update Cycle
Source Protection Zones Environment Agency - Head Office	May 2021	Bi-Annually
Extreme Flooding from Rivers or Sea without Defences Environment Agency - Head Office	September 2021	Quarterly
Flooding from Rivers or Sea without Defences Environment Agency - Head Office	September 2021	Quarterly
Areas Benefiting from Flood Defences Environment Agency - Head Office	September 2021	Quarterly
Flood Water Storage Areas Environment Agency - Head Office	September 2021	Quarterly
Flood Defences Environment Agency - Head Office	September 2021	Quarterly
OS Water Network Lines Ordnance Survey	July 2021	Quarterly
Surface Water 1 in 30 year Flood Extent Environment Agency - Head Office	May 2018	Annually
Surface Water 1 in 100 year Flood Extent Environment Agency - Head Office	May 2018	Annually
Surface Water 1 in 1000 year Flood Extent Environment Agency - Head Office	May 2018	Annually
Surface Water Suitability Environment Agency - Head Office	February 2016	Annually
BGS Groundwater Flooding Susceptibility British Geological Survey - National Geoscience Information Service	May 2013	Annually



Waste	Version	Update Cycle
BGS Recorded Landfill Sites British Geological Survey - National Geoscience Information Service	November 2002	Not Applicable
Historical Landfill Sites Environment Agency - Head Office	May 2021	Quarterly
Integrated Pollution Control Registered Waste Sites Environment Agency - North West Region	January 2009	Not Applicable
Licensed Waste Management Facilities (Landfill Boundaries) Environment Agency - North West Region - Central Area Environment Agency - North West Region - North Area	October 2021 October 2021	Quarterly Quarterly
Licensed Waste Management Facilities (Locations) Environment Agency - North West Region - Central Area Environment Agency - North West Region - North Area	October 2021 October 2021	Quarterly Quarterly
Local Authority Landfill Coverage Chorley Borough Council - Development Control Section Lancashire County Council - Waste Management Group South Ribble Borough Council - Environmental Health Department	February 2003 February 2003 February 2003	Not Applicable Not Applicable Not Applicable
Local Authority Recorded Landfill Sites Chorley Borough Council - Development Control Section Lancashire County Council - Waste Management Group South Ribble Borough Council - Environmental Health Department	October 2018 October 2018 October 2018	
Potentially Infilled Land (Non-Water) Landmark Information Group Limited	December 1999	Not Applicable
Potentially Infilled Land (Water) Landmark Information Group Limited	December 1999	
Registered Landfill Sites Environment Agency - North West Region - Central Area Environment Agency - North West Region - North Area	March 2006 March 2006	Not Applicable Not Applicable
Registered Waste Transfer Sites Environment Agency - North West Region - Central Area Environment Agency - North West Region - North Area	April 2018 April 2018	
Registered Waste Treatment or Disposal Sites Environment Agency - North West Region - Central Area Environment Agency - North West Region - North Area	June 2015 June 2015	
Hazardous Substances	Version	Update Cycle
Control of Major Accident Hazards Sites (COMAH) Health and Safety Executive	April 2018	Bi-Annually
Explosive Sites Health and Safety Executive	March 2017	Annually
Notification of Installations Handling Hazardous Substances (NIHHS) Health and Safety Executive	August 2001	
Planning Hazardous Substance Enforcements Lancashire County Council South Ribble Borough Council Chorley Borough Council - Development Control Section	February 2016 February 2016 January 2016	Variable Variable Variable
Planning Hazardous Substance Consents Lancashire County Council South Ribble Borough Council Chorley Borough Council - Development Control Section	February 2016 February 2016 January 2016	Variable Variable Variable

Geological	Version	Update Cycle
BGS 1:625,000 Solid Geology British Geological Survey - National Geoscience Information Service	January 2009	Not Applicable
BGS Estimated Soil Chemistry British Geological Survey - National Geoscience Information Service	December 2015	Annually
BGS Recorded Mineral Sites British Geological Survey - National Geoscience Information Service	November 2021	Bi-Annually
CBSCB Compensation District Cheshire Brine Subsidence Compensation Board (CBSCB) Cheshire Brine Subsidence Compensation Board (CBSCB)	August 2011 November 2020	As notified
Coal Mining Affected Areas The Coal Authority - Property Searches	March 2014	Annual Rolling Update
Mining Instability Ove Arup & Partners	June 1998	Not Applicable
Non Coal Mining Areas of Great Britain British Geological Survey - National Geoscience Information Service	May 2015	Not Applicable
Potential for Collapsible Ground Stability Hazards British Geological Survey - National Geoscience Information Service	April 2020	Annually
Potential for Compressible Ground Stability Hazards British Geological Survey - National Geoscience Information Service	January 2019	Annually
Potential for Ground Dissolution Stability Hazards British Geological Survey - National Geoscience Information Service	January 2019	Annually
Potential for Landslide Ground Stability Hazards British Geological Survey - National Geoscience Information Service	January 2019	Annually
Potential for Running Sand Ground Stability Hazards British Geological Survey - National Geoscience Information Service	January 2019	Annually
Potential for Shrinking or Swelling Clay Ground Stability Hazards British Geological Survey - National Geoscience Information Service	January 2019	Annually
Radon Potential - Radon Affected Areas British Geological Survey - National Geoscience Information Service	July 2011	Annually
Radon Potential - Radon Protection Measures British Geological Survey - National Geoscience Information Service	July 2011	Annually

Industrial Land Use	Version	Update Cycle
Contemporary Trade Directory Entries Thomson Directories	October 2021	Quarterly
Fuel Station Entries Catalist Ltd - Experian	November 2021	Quarterly
Gas Pipelines National Grid	October 2021	Annually
Points of Interest - Commercial Services PointX	December 2021	Quarterly
Points of Interest - Education and Health PointX	December 2021	Quarterly
Points of Interest - Manufacturing and Production PointX	December 2021	Quarterly
Points of Interest - Public Infrastructure PointX	December 2021	Quarterly
Points of Interest - Recreational and Environmental PointX	December 2021	Quarterly
Underground Electrical Cables National Grid	May 2021	Annually

Sensitive Land Use	Version	Update Cycle
Ancient Woodland Natural England	February 2021	Bi-Annually
Areas of Adopted Green Belt Chorley Borough Council - Development Control Section South Ribble Borough Council	October 2020 October 2020	Quarterly Quarterly
Areas of Unadopted Green Belt Chorley Borough Council - Development Control Section South Ribble Borough Council	October 2020 October 2020	Quarterly Quarterly
Areas of Outstanding Natural Beauty Natural England	January 2021	Bi-Annually
Environmentally Sensitive Areas Natural England	January 2017	
Forest Parks Forestry Commission	April 1997	Not Applicable
Local Nature Reserves Natural England	February 2021	Bi-Annually
Marine Nature Reserves Natural England	July 2019	Bi-Annually
National Nature Reserves Natural England	January 2021	Bi-Annually
National Parks Natural England	February 2018	Bi-Annually
Nitrate Sensitive Areas Natural England	April 2016	Not Applicable
Nitrate Vulnerable Zones Department for Environment, Food and Rural Affairs (DEFRA - formerly FRCA) Environment Agency - Head Office	April 2016 June 2017	Bi-Annually
Ramsar Sites Natural England	August 2020	Bi-Annually
Sites of Special Scientific Interest Natural England	February 2021	Bi-Annually
Special Areas of Conservation Natural England	July 2020	Bi-Annually
Special Protection Areas Natural England	February 2021	Bi-Annually

A selection of organisations who provide data within this report

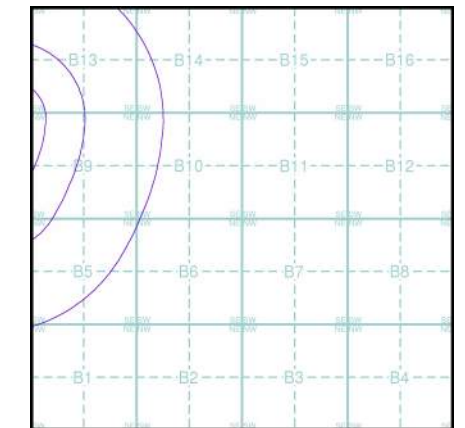
Data Supplier	Data Supplier Logo
Ordnance Survey	
Environment Agency	
Scottish Environment Protection Agency	
The Coal Authority	
British Geological Survey	 British Geological Survey NATURAL ENVIRONMENT RESEARCH COUNCIL
Centre for Ecology and Hydrology	 Centre for Ecology & Hydrology NATURAL ENVIRONMENT RESEARCH COUNCIL
Natural Resources Wales	
Scottish Natural Heritage	
Natural England	
Public Health England	
Ove Arup	
Stantec UK Ltd	

Contact	Name and Address	Contact Details
1	British Geological Survey - Enquiry Service British Geological Survey, Environmental Science Centre, Keyworth, Nottingham, Nottinghamshire, NG12 5GG	Telephone: 0115 936 3143 Fax: 0115 936 3276 Email: enquiries@bgs.ac.uk Website: www.bgs.ac.uk
2	Environment Agency - National Customer Contact Centre (NCCC) PO Box 544, Templeborough, Rotherham, S60 1BY	Telephone: 03708 506 506 Email: enquiries@environment-agency.gov.uk
3	South Ribble Borough Council - Environmental Health Department Civic Centre, West Paddock, Leyland, Preston, Lancashire, PR5 1DH	Telephone: 01772 421491 Fax: 01772 625363 Website: www.south-ribblebc.gov.uk
4	Environment Agency - Head Office Rio House, Waterside Drive, Aztec West, Almondsbury, Bristol, Avon, BS32 4UD	Telephone: 01454 624400 Fax: 01454 624409
5	Ordnance Survey Adanac Drive, Southampton, Hampshire, SO16 0AS	Telephone: 03456 05 05 05 Email: customerservices@ordnancesurvey.co.uk Website: www.ordnancesurvey.gov.uk
6	Lancashire County Council - Waste Management Group Environment Directorate, Guild House, Cross Street, Preston, Lancashire, PR1 8RD	Website: www.lancashire.gov.uk
7	Chorley Borough Council - Development Control Section Town Hall, Market Street, Chorley, Lancashire, PR7 1DP	Telephone: 01257 515151 Fax: 01257 515150 Website: www.chorley.gov.uk
8	PointX 7 Abbey Court, Eagle Way, Sowton, Exeter, Devon, EX2 7HY	Website: www.pointx.co.uk
9	Natural England County Hall, Spetchley Road, Worcester, WR5 2NP	Telephone: 0300 060 3900 Email: enquiries@naturalengland.org.uk Website: www.naturalengland.org.uk
10	South Ribble Borough Council Civic Centre, West Paddock, Leyland, Preston, Lancashire, PR5 1DH	Telephone: 01772 421491 Fax: 01772 622287 Email: info@south-ribblebc.gov.uk Website: www.south-ribblebc.gov.uk
-	Public Health England - Radon Survey, Centre for Radiation, Chemical and Environmental Hazards Chilton, Didcot, Oxfordshire, OX11 0RQ	Telephone: 01235 822622 Fax: 01235 833891 Email: radon@phe.gov.uk Website: www.ukradon.org
-	Landmark Information Group Limited Imperium, Imperial Way, Reading, Berkshire, RG2 0TD	Telephone: 0844 844 9952 Fax: 0844 844 9951 Email: customerservices@landmarkinfo.co.uk Website: www.landmarkinfo.co.uk

Please note that the Environment Agency / Natural Resources Wales / SEPA have a charging policy in place for enquiries.

- General**
- Specified Site
 - Specified Buffer(s)
 - Bearing Reference Point
 - Map ID
 - Several of Type at Location
- Agency and Hydrological**
- Contaminated Land Register Entry or Notice (Location)
 - Contaminated Land Register Entry or Notice
 - Discharge Consent
 - Enforcement or Prohibition Notice
 - Integrated Pollution Control
 - Integrated Pollution Prevention Control
 - Local Authority Integrated Pollution Prevention and Control
 - Local Authority Pollution Prevention and Control
 - Local Authority Pollution Prevention and Control Enforcement
 - Pollution Incident to Controlled Waters
 - Prosecution Relating to Authorised Processes
 - Prosecution Relating to Controlled Waters
 - Registered Radioactive Substance
 - River Network or Water Feature
 - River Quality Sampling Point
 - Substantiated Pollution Incident Register
 - Water Abstraction
 - Water Industry Act Referral
- Hazardous Substances**
- COMAH Site
 - Explosive Site
 - NIHHS Site
 - Planning Hazardous Substance Consent
 - Planning Hazardous Substance Enforcement
 - BGS Recorded Mineral Site
- Waste**
- BGS Recorded Landfill Site (Location)
 - BGS Recorded Landfill Site
 - EA Historic Landfill (Buffered Point)
 - EA Historic Landfill (Polygon)
 - Integrated Pollution Control Registered Waste Site
 - Licensed Waste Management Facility (Landfill Boundary)
 - Licensed Waste Management Facility (Location)
 - Local Authority Recorded Landfill Site (Location)
 - Local Authority Recorded Landfill Site
 - Potentially Infilled Land (Non-water)
 - Potentially Infilled Land (Non-water)
 - Potentially Infilled Land (Non-water)
 - Potentially Infilled Land (Water)
 - Potentially Infilled Land (Water)
 - Potentially Infilled Land (Water)
 - Registered Landfill Site (Location)
 - Registered Landfill Site (Point Buffered to 100m)
 - Registered Landfill Site (Point Buffered to 250m)
 - Registered Waste Transfer Site (Location)
 - Registered Waste Transfer Site
 - Registered Waste Treatment or Disposal Site (Location)
 - Registered Waste Treatment or Disposal Site

Site Sensitivity Map - Slice B

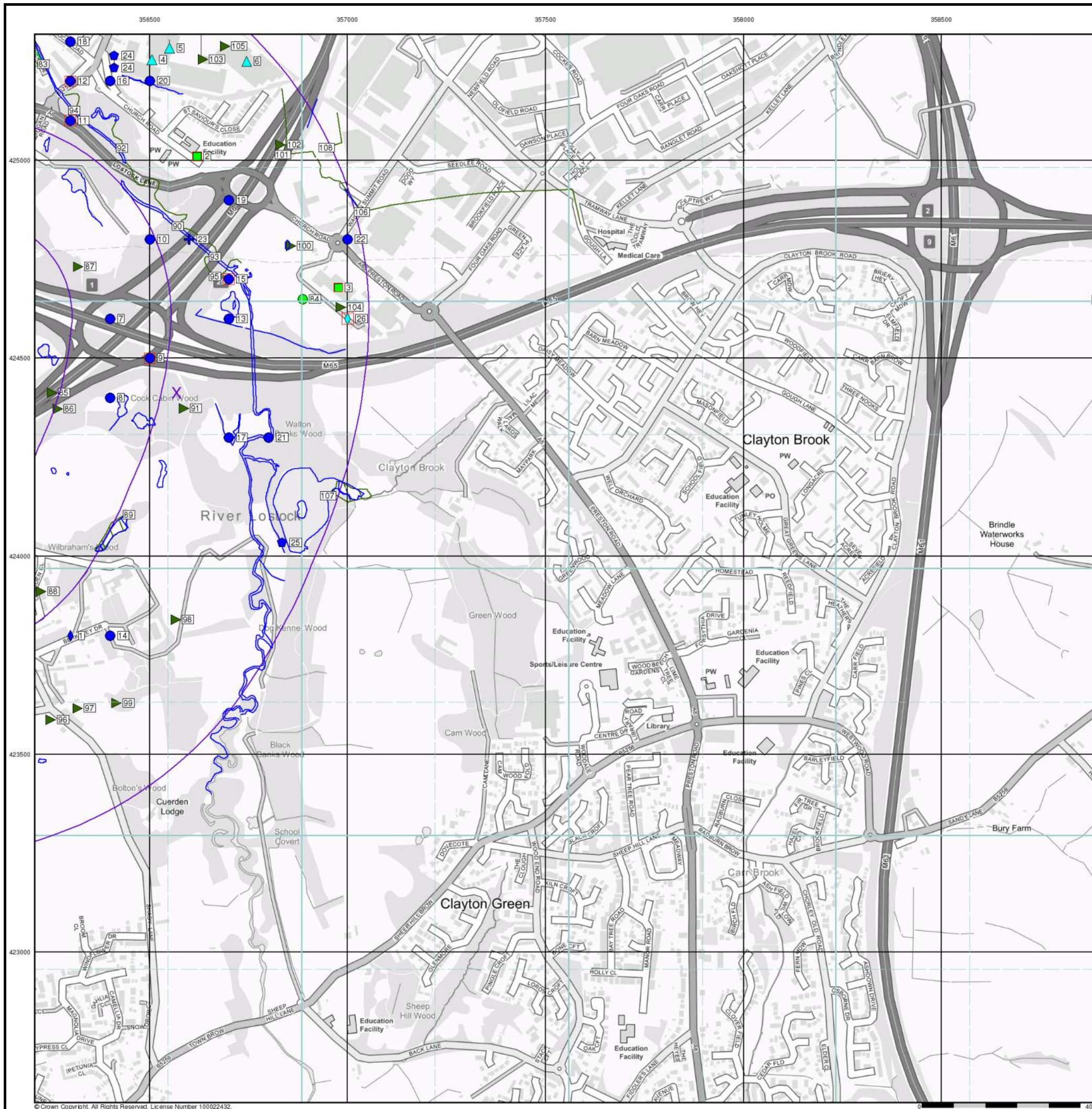


Order Details

Order Number: 289775268_1_1
 Customer Ref: WIE11556-107
 National Grid Reference: 356570, 424410
 Slice: B
 Site Area (Ha): 61.13
 Search Buffer (m): 1000

Site Details

Site at 355440, 424740



© Crown Copyright. All Rights Reserved. License Number 100022432.

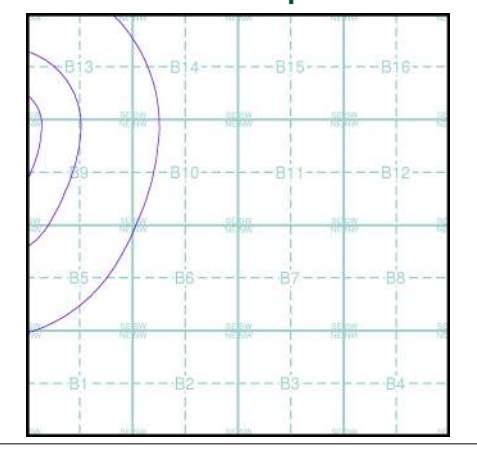


Industrial Land Use Map

- General**
- Specified Site
 - Specified Buffer(s)
 - Bearing Reference Point
 - Slice
 - Map ID

- Industrial Land Use**
- Contemporary Trade Directory Entry
 - Fuel Station Entry
 - Gas Pipeline
 - Points of Interest - Commercial Services
 - Points of Interest - Education and Health
 - Points of Interest - Manufacturing and Production
 - Points of Interest - Public Infrastructure
 - Points of Interest - Recreational and Environmental
 - Underground Electrical Cables

Industrial Land Use Map - Slice B

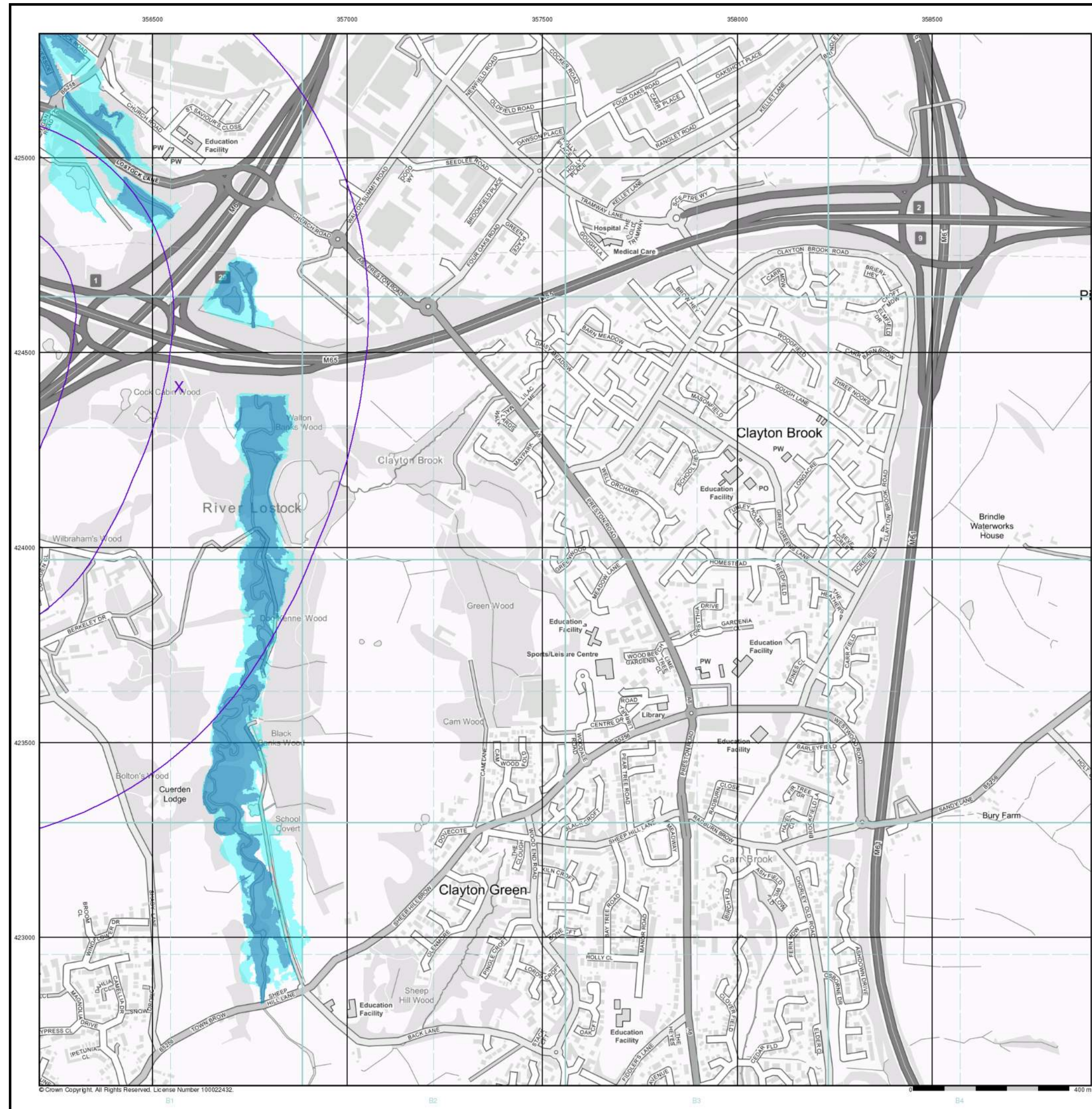


Order Details

Order Number: 289775268_1_1
 Customer Ref: WIE11556-107
 National Grid Reference: 356570, 424410
 Slice: B
 Site Area (Ha): 61.13
 Search Buffer (m): 1000

Site Details

Site at 355440, 424740



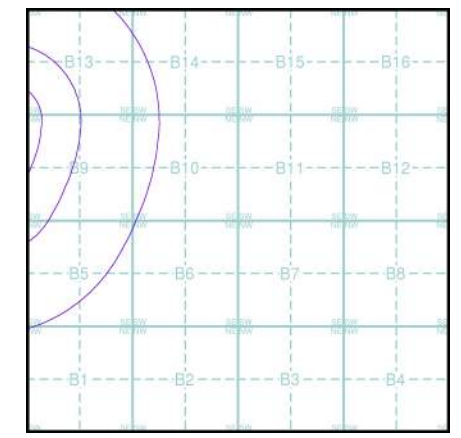
General

- Specified Site
- Specified Buffer(s)
- Bearing Reference Point

Agency and Hydrological (Flood)

- Extreme Flooding from Rivers or Sea without Defences (Zone 2)
- Flooding from Rivers or Sea without Defences (Zone 3)
- Area Benefiting from Flood Defence
- Flood Water Storage Areas
- Flood Defence

Flood Map - Slice B

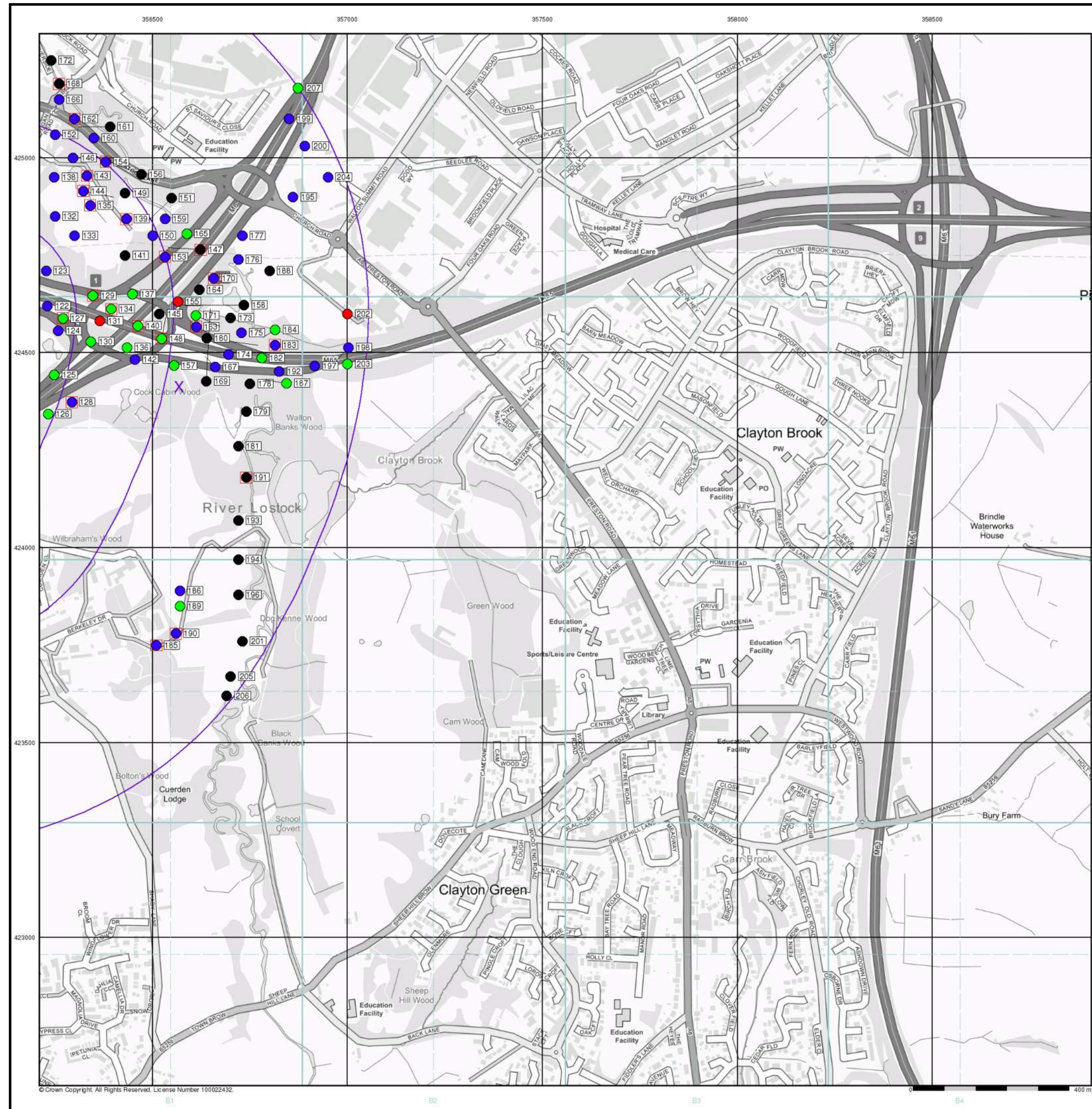


Order Details

Order Number: 289775268_1_1
 Customer Ref: WIE11556-107
 National Grid Reference: 356570, 424410
 Slice: B
 Site Area (Ha): 61.13
 Search Buffer (m): 1000

Site Details

Site at 355440, 424740



General

- Specified Site
- Specified Buffer(s)
- Bearing Reference Point
- Map ID
- Several of Type at Location

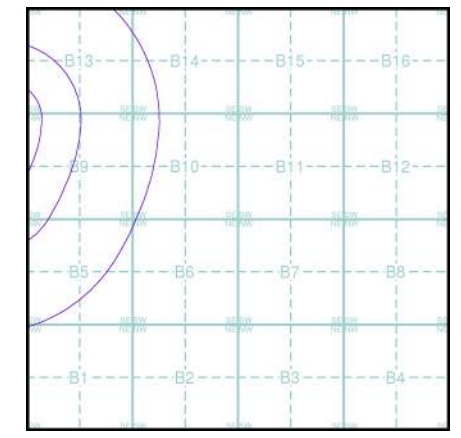
Agency and Hydrological (Boreholes)

- BGS Borehole Depth 0 - 10m
- BGS Borehole Depth 10 - 30m
- BGS Borehole Depth 30m +
- Confidential
- Other

For Borehole information please refer to the Borehole .csv file which accompanied this slice.

A copy of the BGS Borehole Ordering Form is available to download from the Support section of www.envirocheck.co.uk.

Borehole Map - Slice B

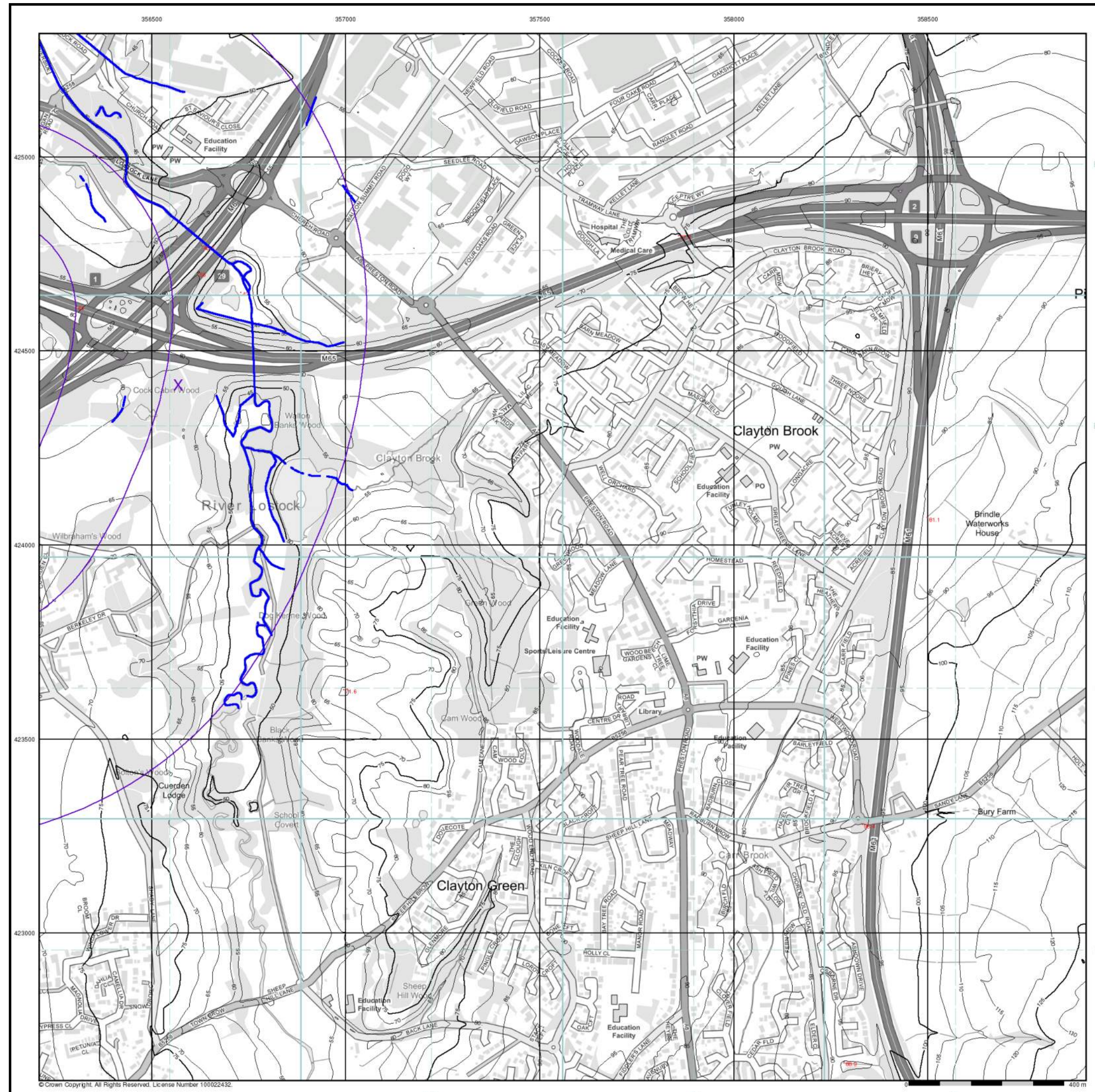


Order Details

Order Number: 289775268_1_1
 Customer Ref: WIE11556-107
 National Grid Reference: 356570, 424410
 Slice: B
 Site Area (Ha): 61.13
 Search Buffer (m): 1000

Site Details

Site at 355440, 424740

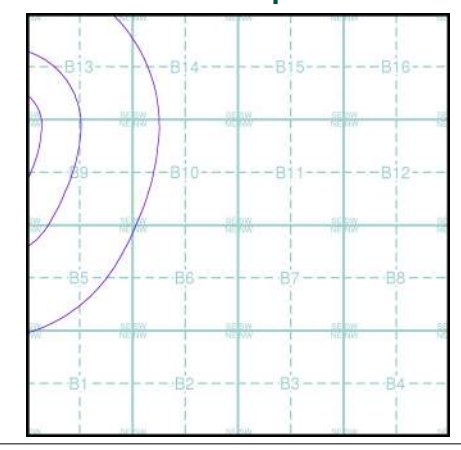


- General**
- Specified Site
 - Specified Buffer(s)
 - X Bearing Reference Point

- OS Water Network Data**
- | | |
|--------------|-------------------------|
| Canal | Drain |
| Reservoir | Other |
| Foreshore | Lake |
| Marsh | Transfer |
| Tidal River | Lock Or Flight Of Locks |
| Inland River | Sea |

- Contours (height in meters)**
- Standard Contour 105 Mean Low Water
- Master Contour 100 Mean High Water
- Spot Height *167.3

OS Water Network Map - Slice B



Order Details

Order Number: 289775268_1_1
 Customer Ref: WIE11556-107
 National Grid Reference: 356570, 424410
 Slice: B
 Site Area (Ha): 61.13
 Search Buffer (m): 1000

Site Details

Site at 355440, 424740

General

- Specified Site
- Specified Buffer(s)
- Bearing Reference Point

Risk of Flooding from Surface Water

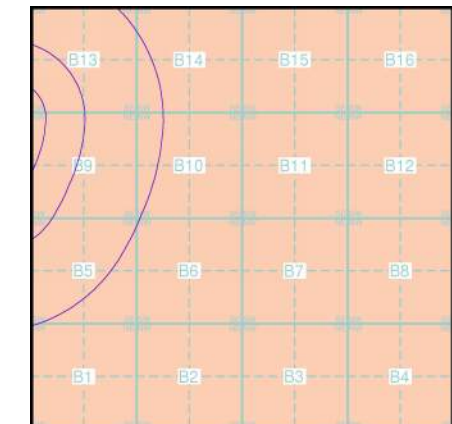
- High - 30 Year Return
- Medium - 100 Year Return
- Low - 1000 Year Return

Suitability

See the suitability map below

- National to county
- County to town
- Town to street
- Street to parcels of land
- Property

EANRW Suitability Map - Slice B

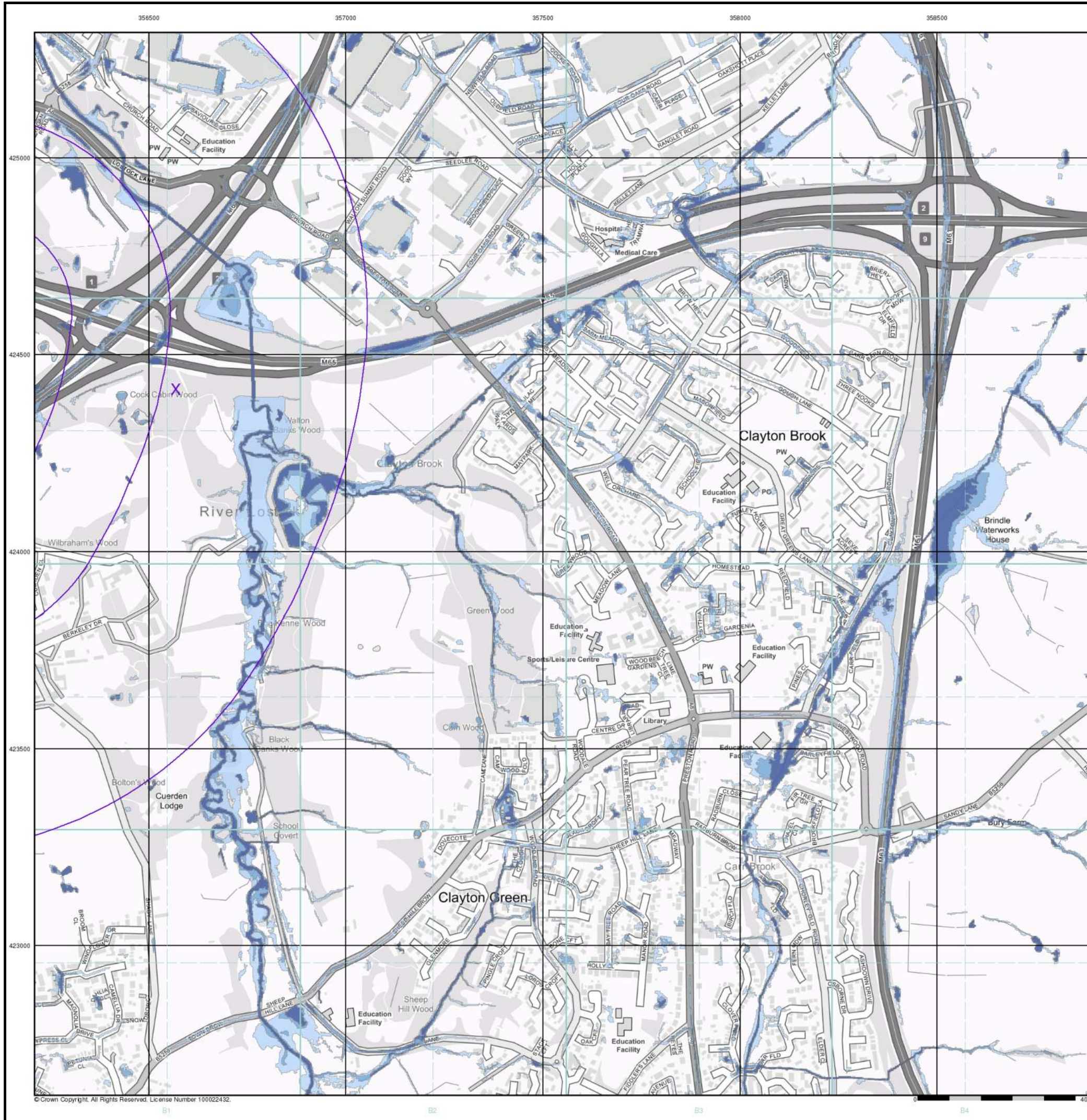


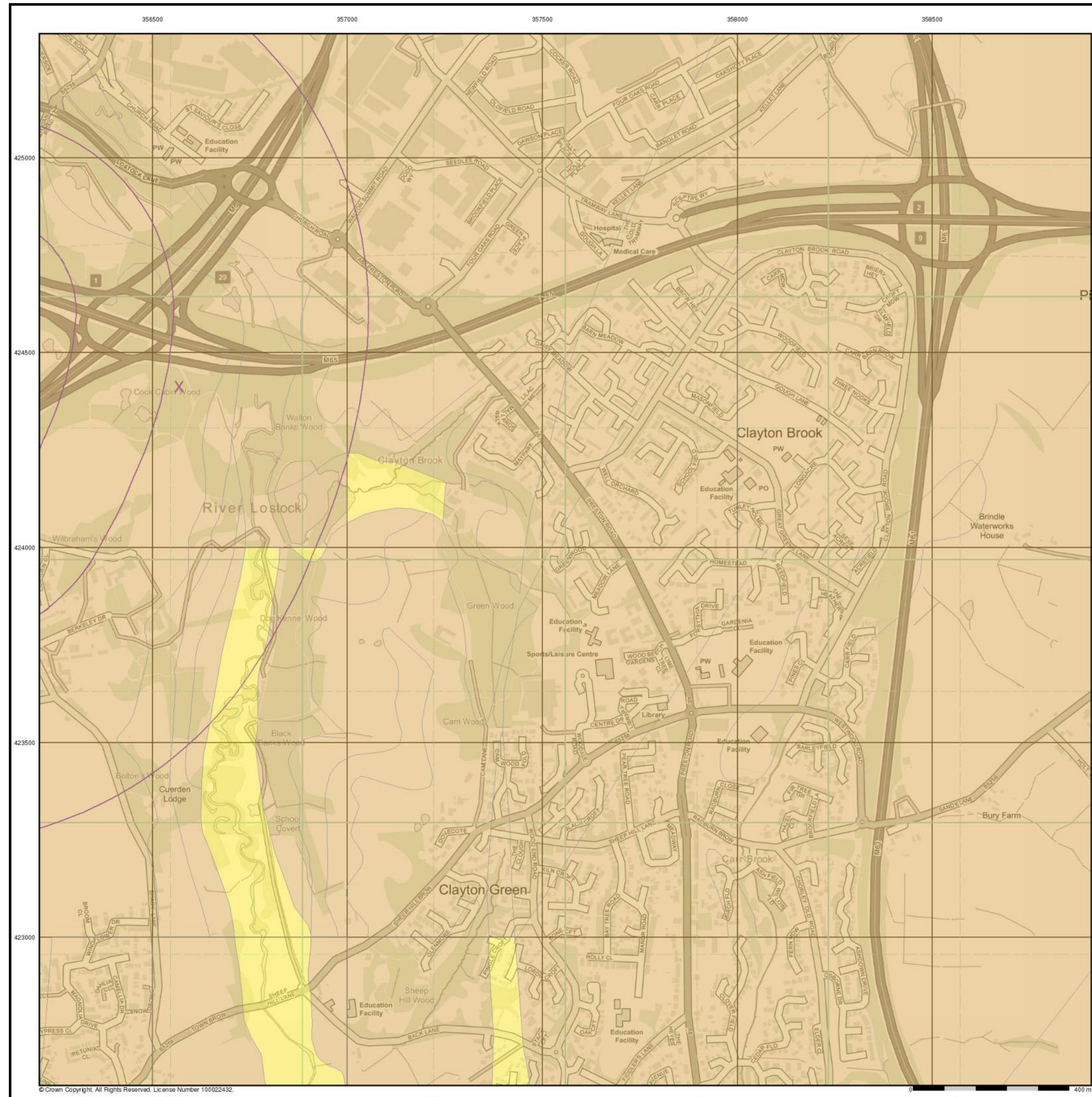
Order Details

Order Number: 289775268_1_1
 Customer Ref: WIE11556-107
 National Grid Reference: 356570, 424410
 Slice: B
 Site Area (Ha): 61.13
 Search Buffer (m): 1000

Site Details

Site at 355440, 424740



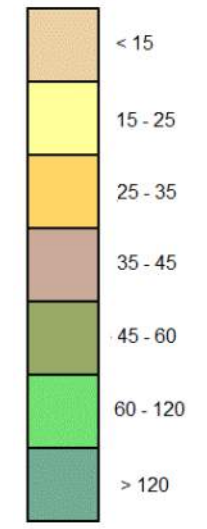


General

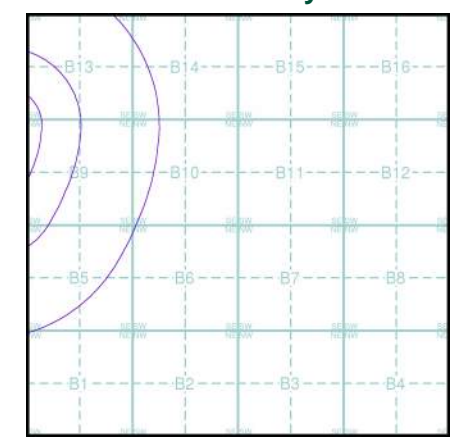
- Specified Site
- Specified Buffer(s)
- X Bearing Reference Point

Estimated Soil Chemistry Arsenic

Arsenic Concentrations mg/kg



Estimated Soil Chemistry Arsenic - Slice B



Order Details

Order Details: 289775268_1_1
 Customer Ref: WIE11556-107
 National Grid Reference: 356570, 424410
 Slice: B
 Site Area (Ha): 61.13
 Search Buffer (m): 1000

Site Details

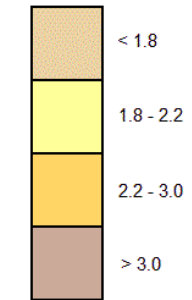
Site at 355440, 424740

General

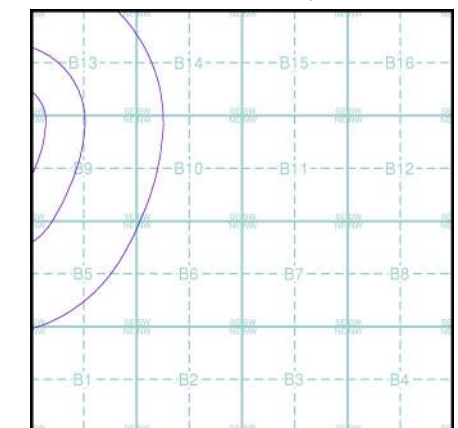
- Specified Site
- Specified Buffer(s)
- X Bearing Reference Point

Estimated Soil Chemistry Cadmium

Cadmium Concentrations mg/kg



Estimated Soil Chemistry Cadmium - Slice B

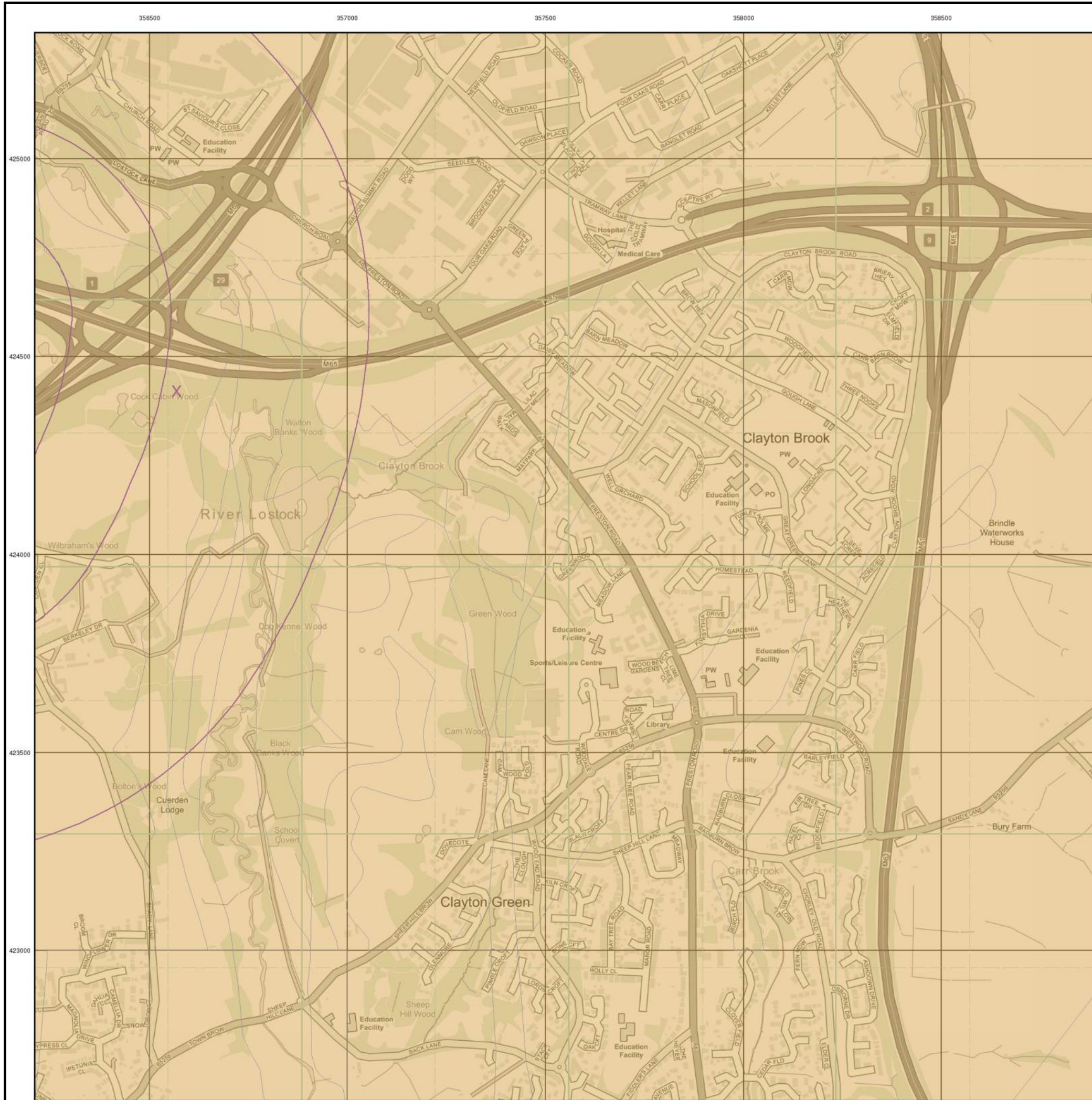


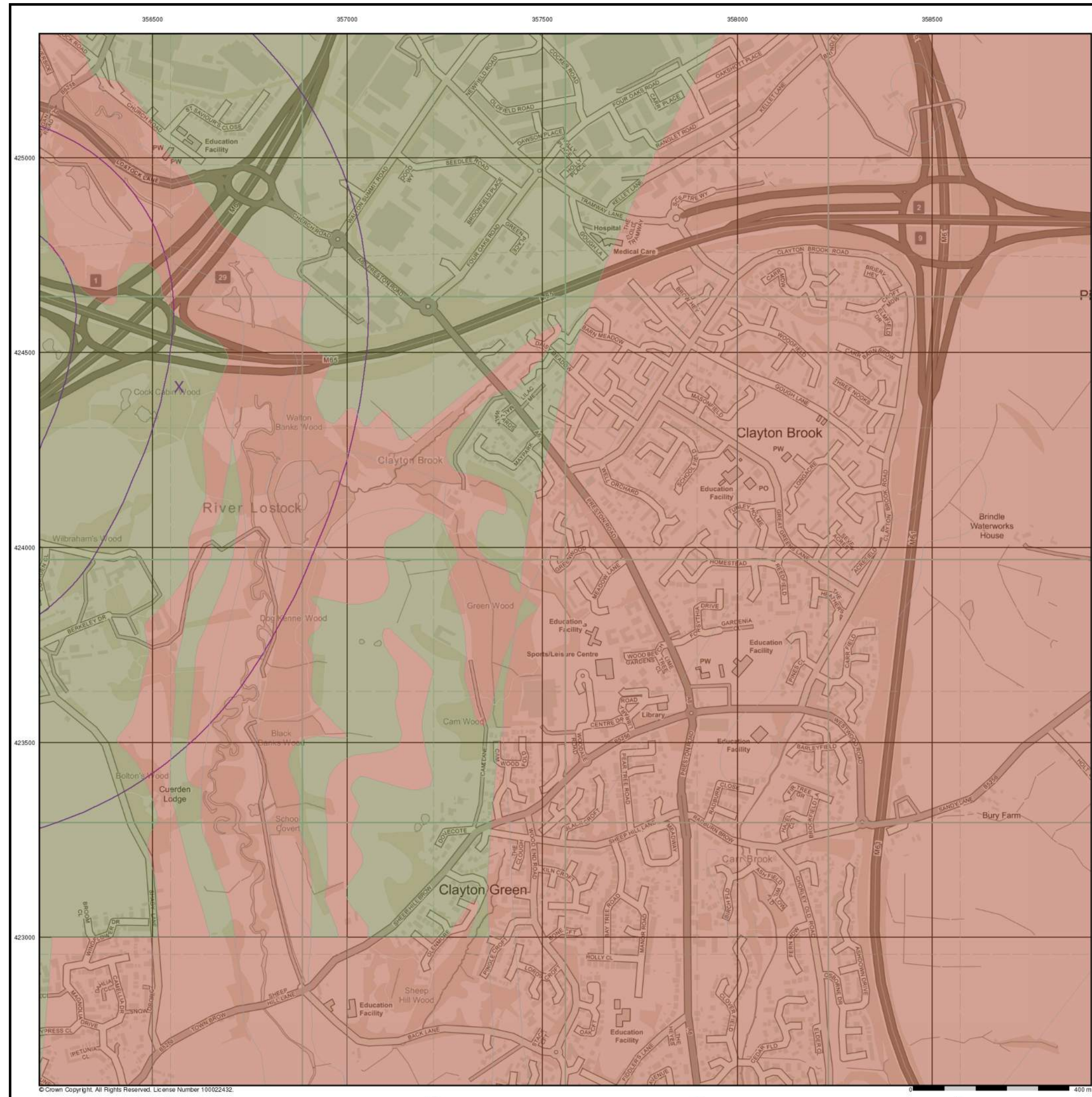
Order Details

Order Details: 289775268_1_1
 Customer Ref: WIE11556-107
 National Grid Reference: 356570, 424410
 Slice: B
 Site Area (Ha): 61.13
 Search Buffer (m): 1000

Site Details

Site at 355440, 424740



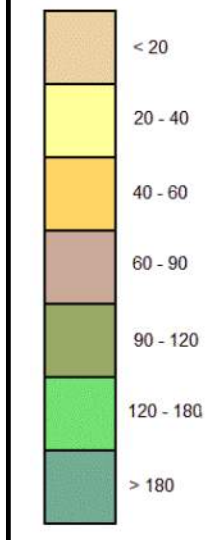


General

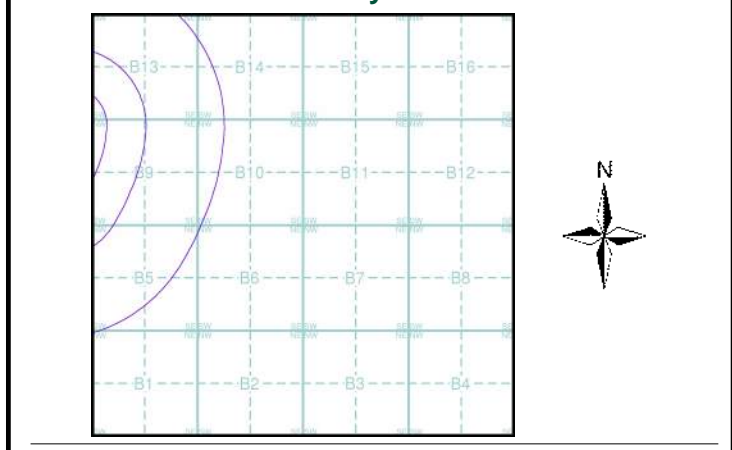
○ Specified Site
 ○ Specified Buffer(s)
 X Bearing Reference Point

Estimated Soil Chemistry Chromium

Chromium Concentrations mg/kg



Estimated Soil Chemistry Chromium - Slice B

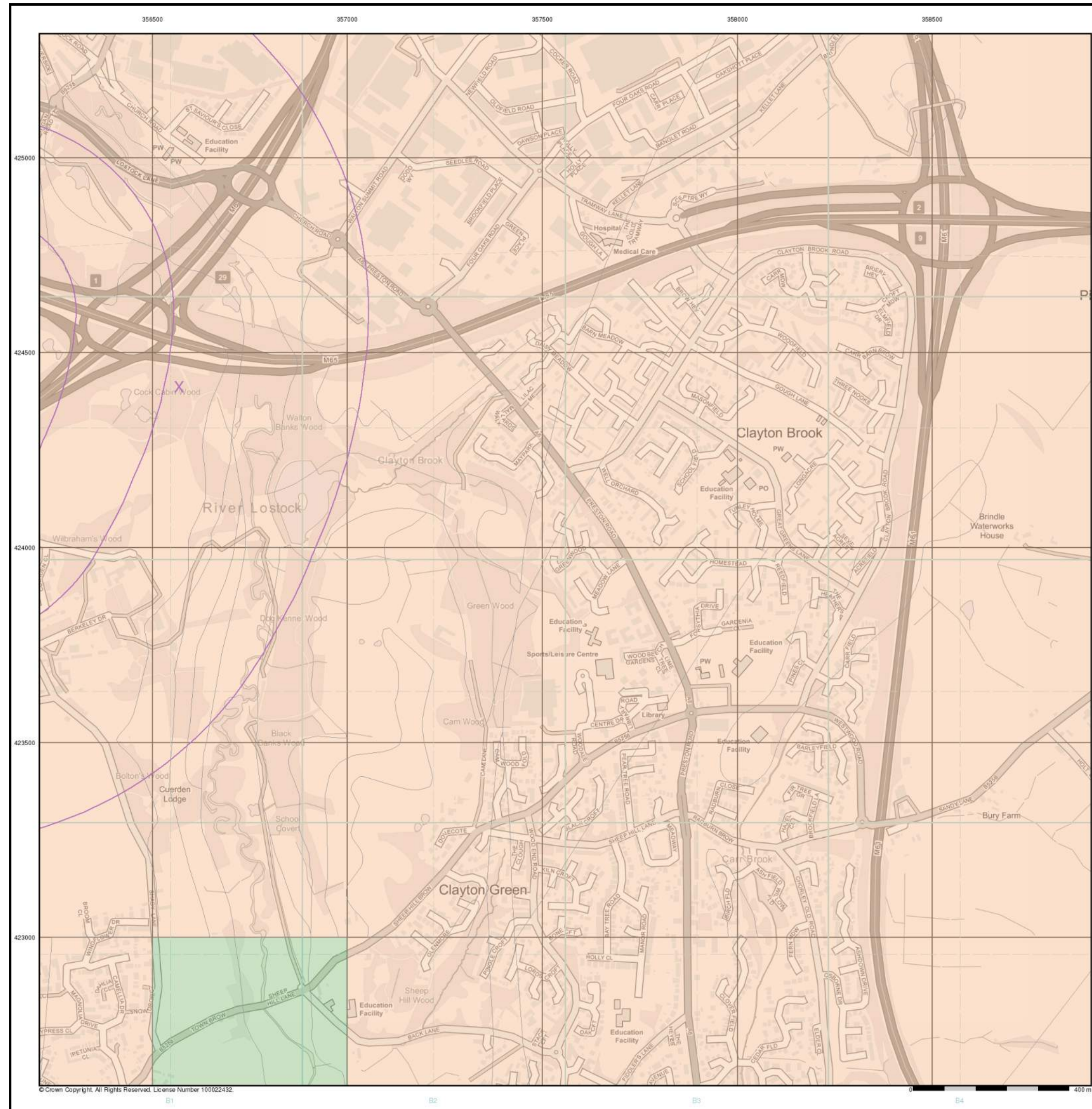


Order Details

Order Details: 289775268_1_1
 Customer Ref: WIE11556-107
 National Grid Reference: 356570, 424410
 Slice: B
 Site Area (Ha): 61.13
 Search Buffer (m): 1000

Site Details

Site at 355440, 424740

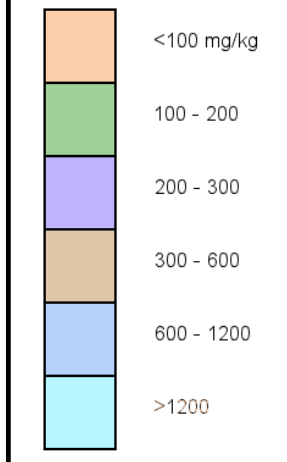


General

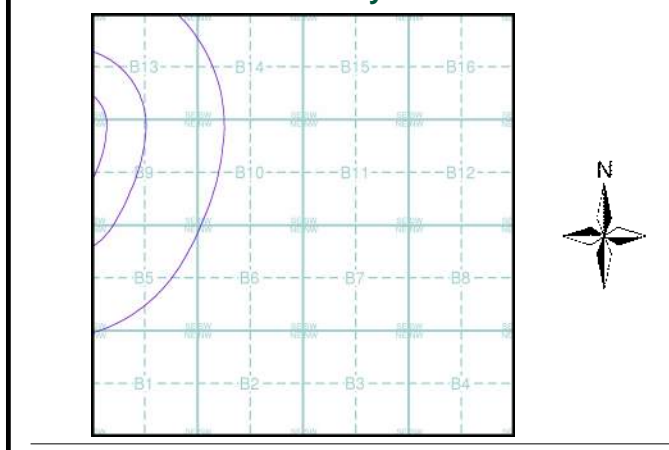
○ Specified Site
 ○ Specified Buffer(s)
 X Bearing Reference Point

Estimated Soil Chemistry Lead

Lead Concentrations mg/kg



Estimated Soil Chemistry Lead - Slice B



Order Details

Order Details: 289775268_1_1
 Customer Ref: WIE11556-107
 National Grid Reference: 356570, 424410
 Slice: B
 Site Area (Ha): 61.13
 Search Buffer (m): 1000

Site Details

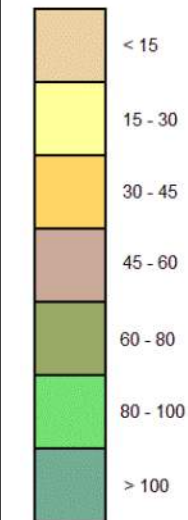
Site at 355440, 424740

General

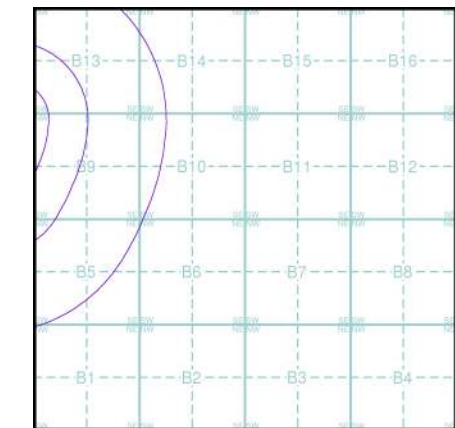
- Specified Site
- Specified Buffer(s)
- Bearing Reference Point

Estimated Soil Chemistry Nickel

Nickel Concentrations mg/kg



Estimated Soil Chemistry Nickel - Slice B

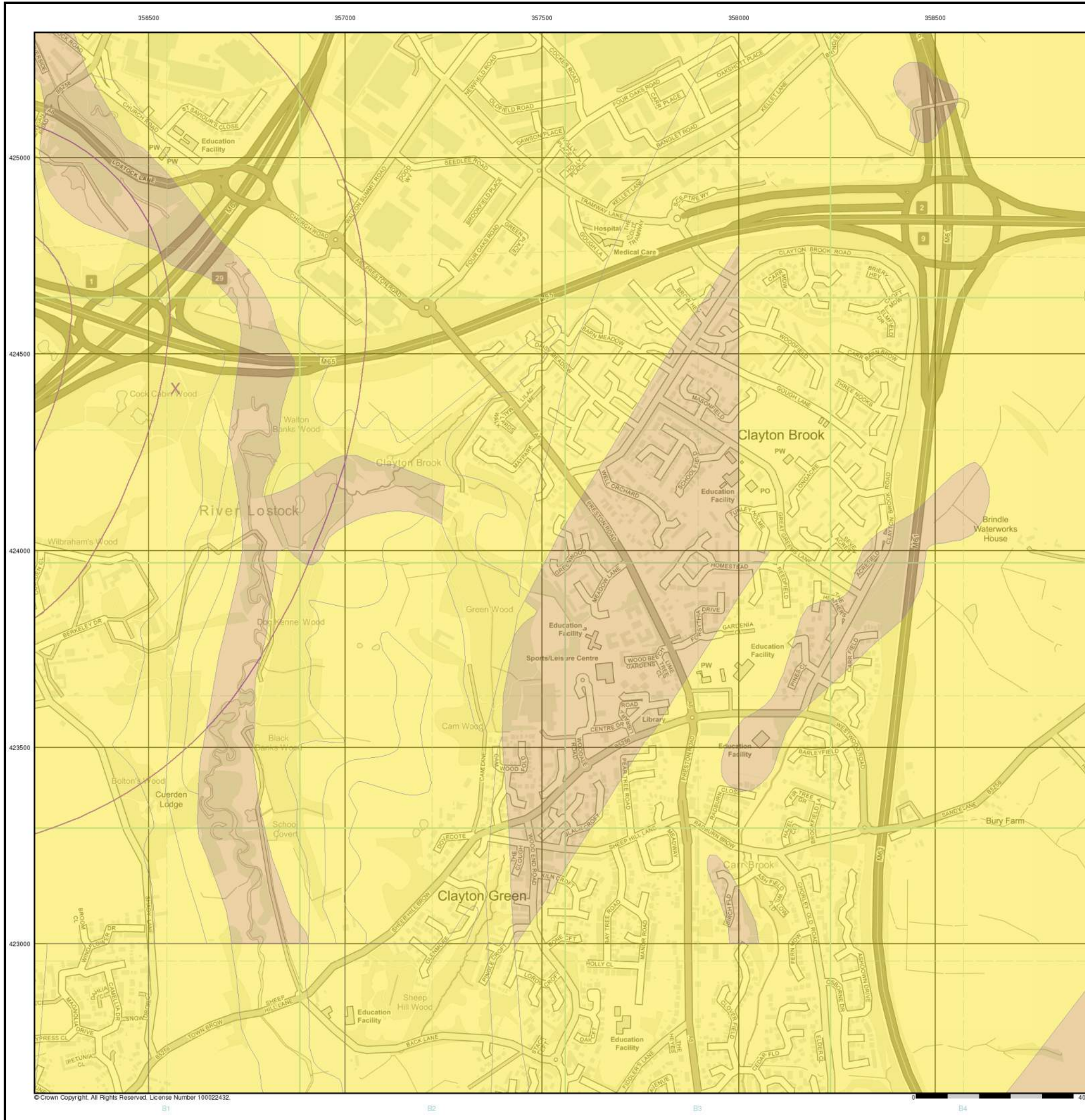


Order Details

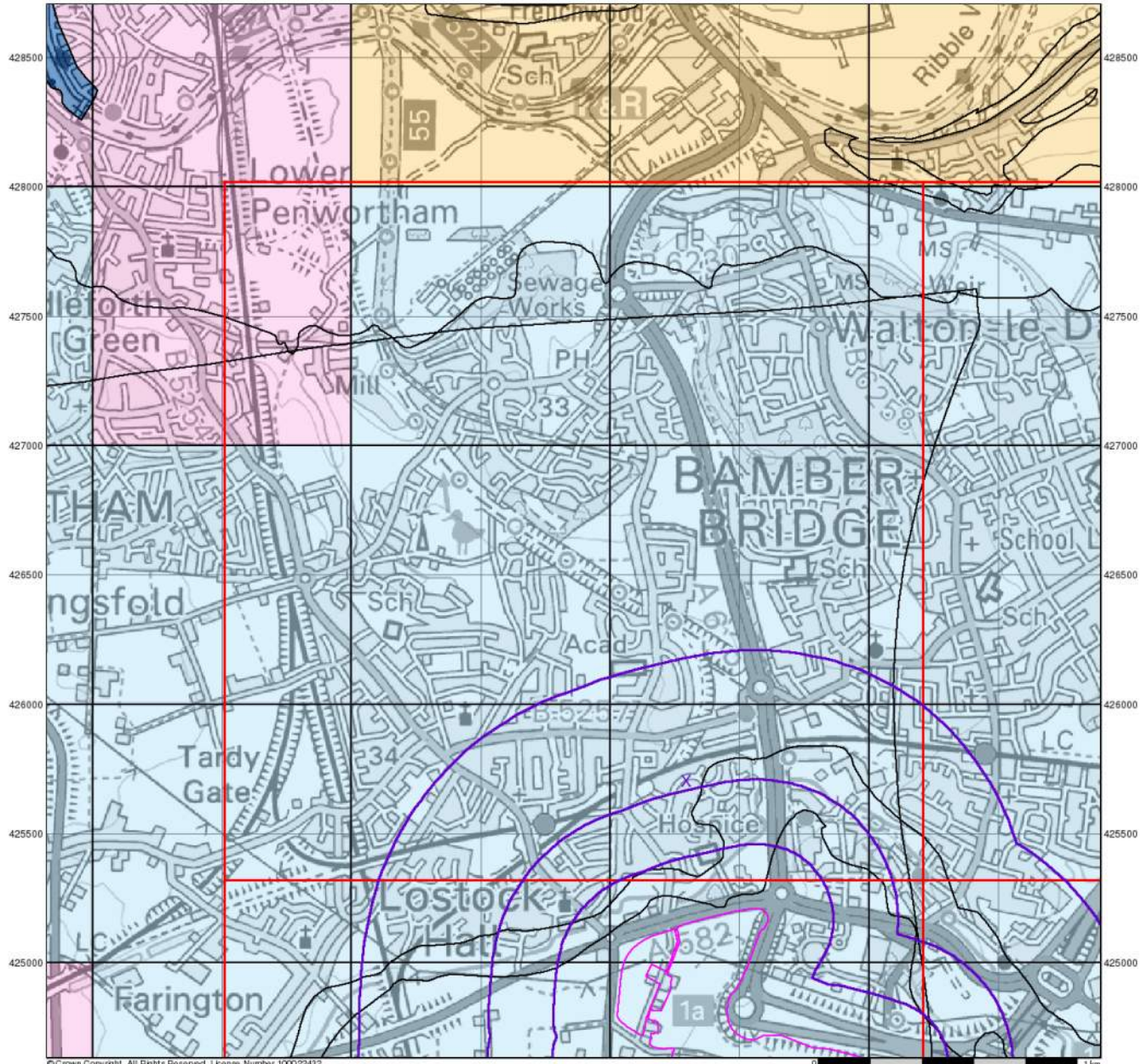
Order Details: 289775268_1_1
 Customer Ref: WIE11556-107
 National Grid Reference: 356570, 424410
 Slice: B
 Site Area (Ha): 61.13
 Search Buffer (m): 1000

Site Details

Site at 355440, 424740



353000 353500 354000 354500 355000 355500 356000 356500



© Crown Copyright. All Rights Reserved. License Number 100022432.

Envirocheck®

LANDMARK INFORMATION GROUP®

Groundwater Vulnerability

General

- Specified Site
- Specified Buffer(s)
- Bearing Reference Point
- Slice
- Map ID

Agency and Hydrological

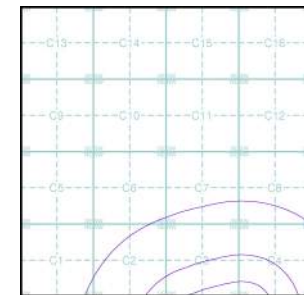
Bedrock Aquifers

- High Vulnerability, Principal Aquifer
- High Vulnerability, Secondary Aquifer
- Medium Vulnerability, Principal Aquifer
- Medium Vulnerability, Secondary Aquifer
- Low Vulnerability, Principal Aquifer
- Low Vulnerability, Secondary Aquifer
- Unproductive Aquifer
- Soluble Rock

Superficial Aquifers

- High Vulnerability, Principal Aquifer
- High Vulnerability, Secondary Aquifer
- Medium Vulnerability, Principal Aquifer
- Medium Vulnerability, Secondary Aquifer
- Low Vulnerability, Principal Aquifer
- Low Vulnerability, Secondary Aquifer

Site Sensitivity Context Map - Slice C



Order Details

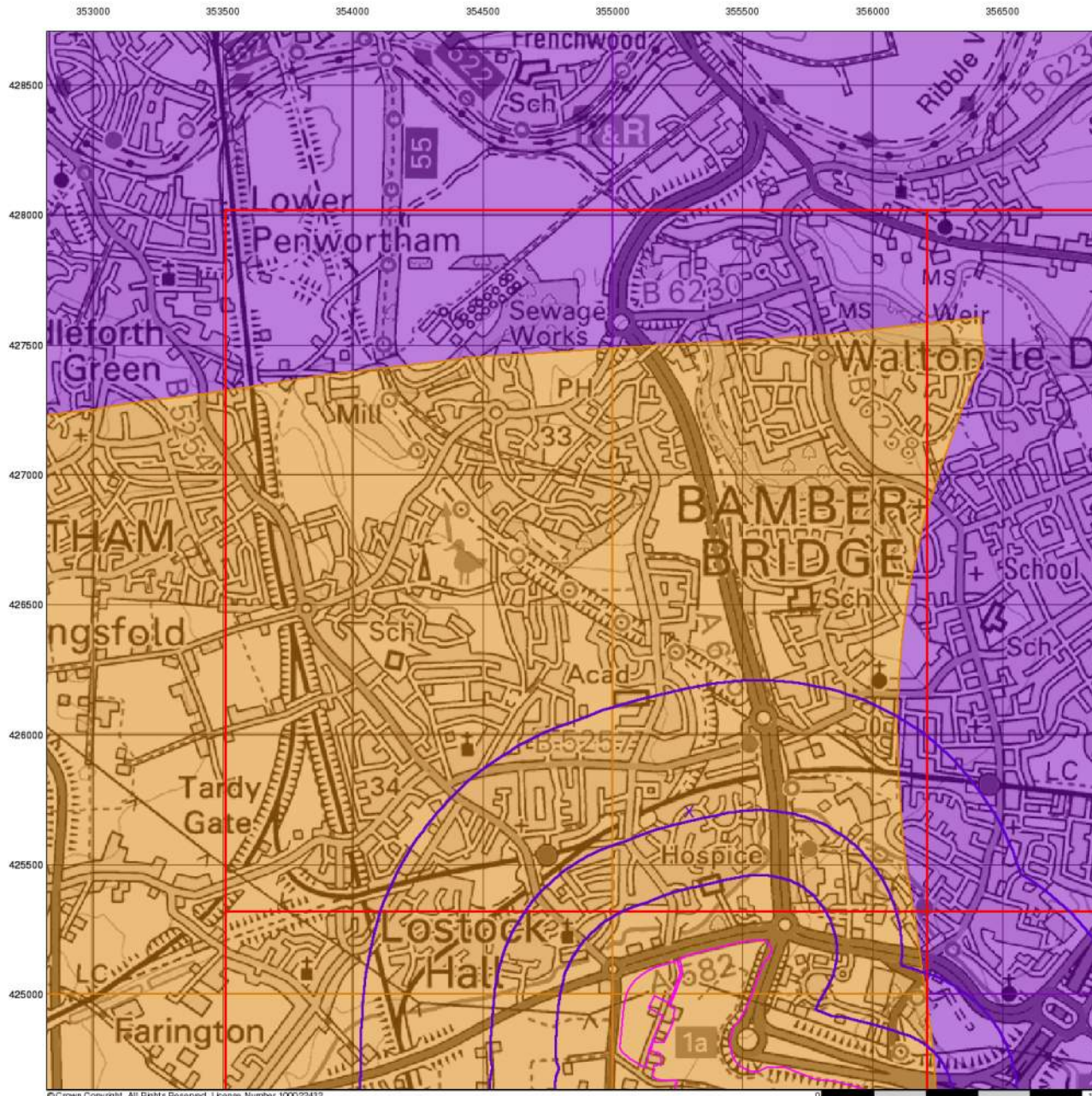
Order Number: 289775268_1_1
 Customer Ref: WIE11556-107
 National Grid Reference: 355290, 425700
 Slice: C
 Site Area (Ha): 61.13
 Search Buffer (m): 1000

Site Details

Site at 355440, 424740

Landmark
 INFORMATION GROUP

Tel: 0844 844 9952
 Fax: 0844 844 9951
 Web: www.envirocheck.co.uk



© Crown Copyright. All Rights Reserved. License Number 100022432.

Envirocheck®

LANDMARK INFORMATION GROUP®

Bedrock Aquifer Designation

General

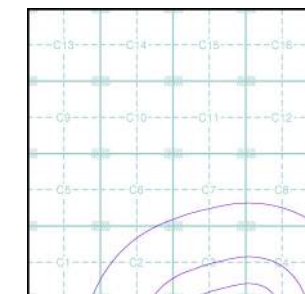
- Specified Site
- Specified Buffer(s)
- Bearing Reference Point
- Slice
- Map ID

Agency and Hydrological

Geological Classes

- Principal Aquifer
- Secondary A Aquifer
- Secondary B Aquifer
- Secondary Undifferentiated
- Unproductive Strata
- Unknown
- Unknown (Lakes and Landslip)

Site Sensitivity Context Map - Slice C



Order Details

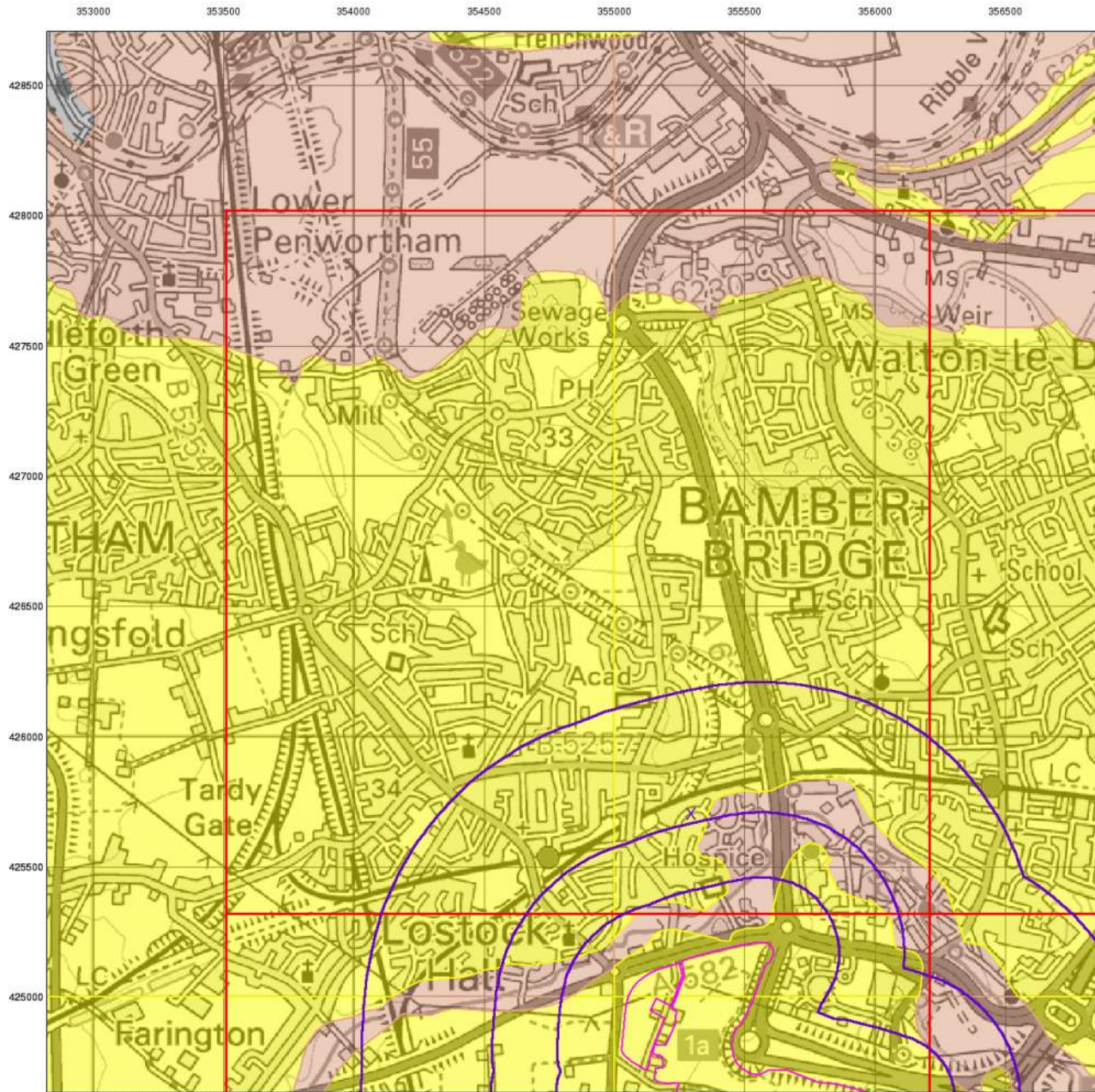
Order Number: 289775268_1_1
 Customer Ref: WIE11556-107
 National Grid Reference: 355290, 425700
 Slice: C
 Site Area (Ha): 61.13
 Search Buffer (m): 1000

Site Details

Site at 355440, 424740

Landmark
 INFORMATION GROUP

Tel: 0844 844 9952
 Fax: 0844 844 9951
 Web: www.envirocheck.co.uk



© Crown Copyright. All Rights Reserved. License Number 100022432

Envirocheck®

LANDMARK INFORMATION GROUP®

Superficial Aquifer Designation

General

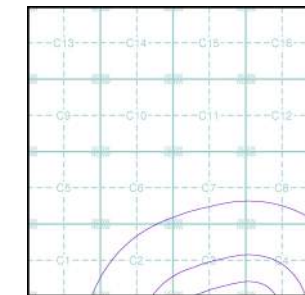
- Specified Site
- Specified Buffer(s)
- Bearing Reference Point
- Slice
- Map ID

Agency and Hydrological

Geological Classes

- Principal Aquifer
- Secondary A Aquifer
- Secondary B Aquifer
- Secondary Undifferentiated
- Unproductive Strata
- Unknown
- Unknown (Lakes and Landslip)

Site Sensitivity Context Map - Slice C



Order Details

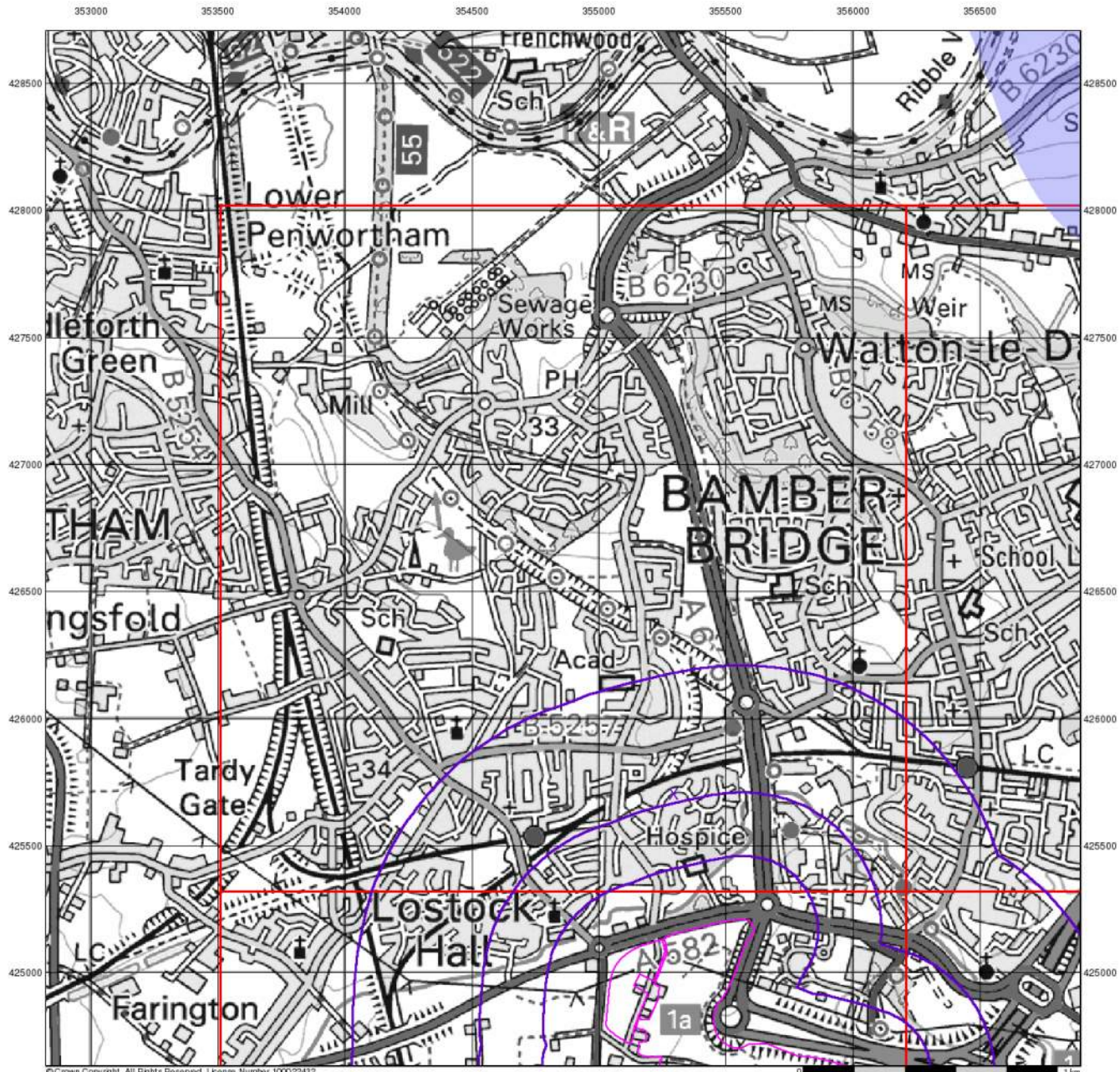
Order Number: 289775268_1_1
 Customer Ref: WIE11556-107
 National Grid Reference: 355290, 425700
 Slice: C
 Site Area (Ha): 61.13
 Search Buffer (m): 1000

Site Details

Site at 355440, 424740

Landmark
 INFORMATION GROUP

Tel: 0844 844 9952
 Fax: 0844 844 9951
 Web: www.envirocheck.co.uk



© Crown Copyright. All Rights Reserved. License Number 100022432.

Envirocheck®

LANDMARK INFORMATION GROUP®

Source Protection Zones

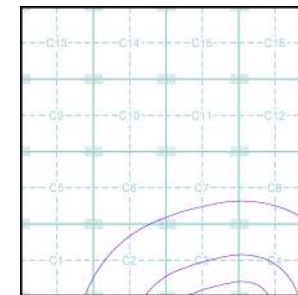
General

- ◊ Specified Site
- ◊ Specified Buffer(s)
- X Bearing Reference Point
- Slice
- Map ID

Agency and Hydrological

- Inner zone (Zone 1)
- Inner zone - subsurface activity only (Zone 1c)
- Outer zone (Zone 2)
- Outer zone - subsurface activity only (Zone 2c)
- Total catchment (Zone 3)
- Total catchment - subsurface activity only (Zone 3c)
- Special interest (Zone 4)

Site Sensitivity Context Map - Slice C



Order Details

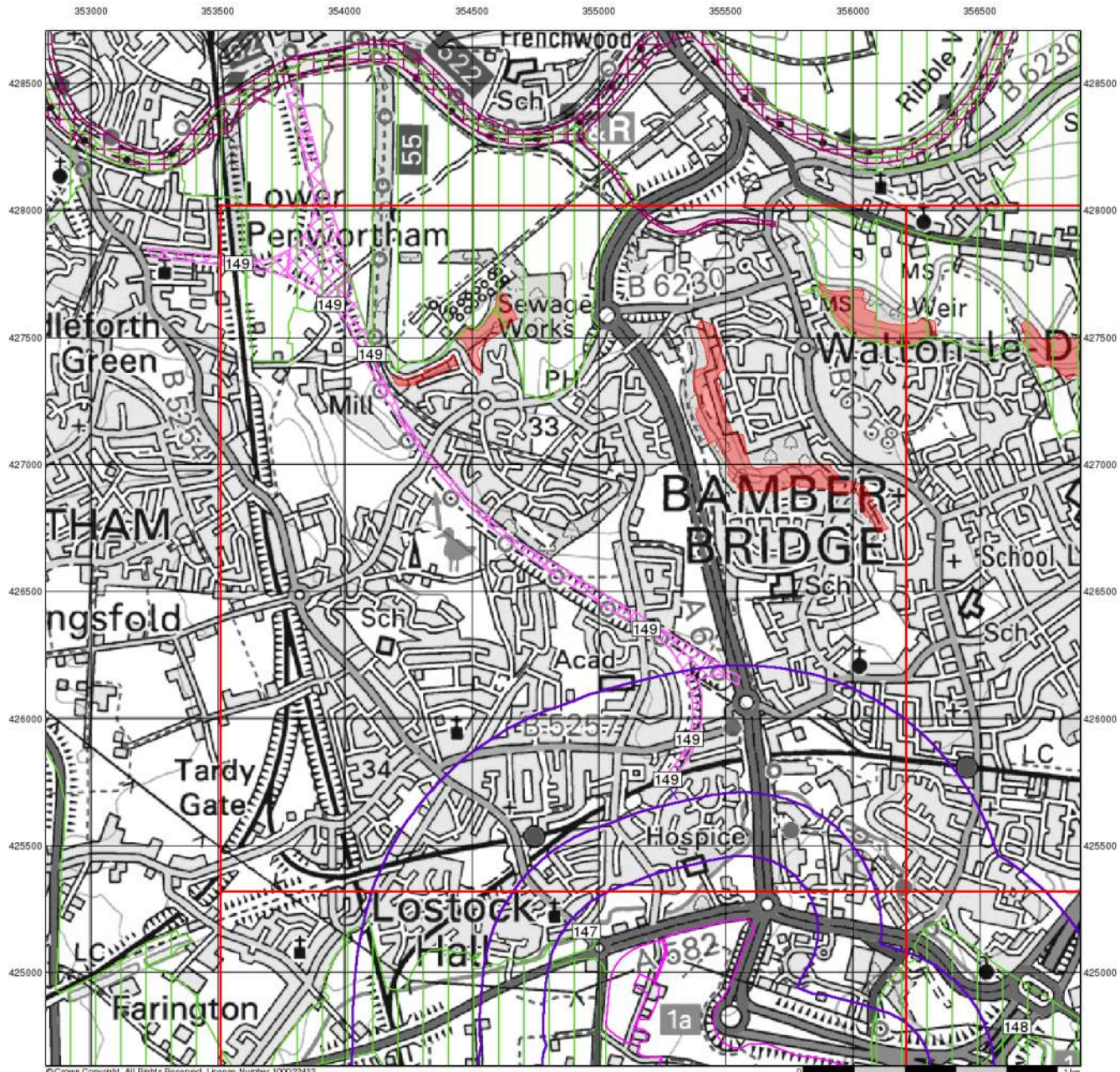
Order Number: 289775268_1_1
 Customer Ref: WIE11556-107
 National Grid Reference: 355290, 425700
 Slice: C
 Site Area (Ha): 61.13
 Search Buffer (m): 1000

Site Details

Site at 355440, 424740

Landmark
 INFORMATION GROUP

Tel: 0844 844 9952
 Fax: 0844 844 9951
 Web: www.envirocheck.co.uk








© Crown Copyright. All Rights Reserved. License Number: 100022432

Envirocheck®

LANDMARK INFORMATION GROUP®

Sensitive Land Uses

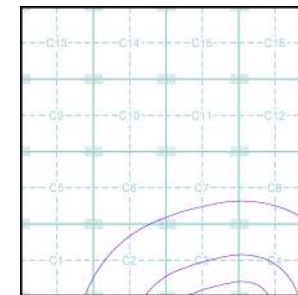
General

-  Specified Site
-  Specified Buffer(s)
-  Bearing Reference Point
-  Slice
-  Map ID

Sensitive Land Uses

-  Ancient Woodland
-  Area of Adopted Green Belt
-  Area of Unadopted Green Belt
-  Area of Outstanding Natural Beauty
-  Environmentally Sensitive Area
-  Forest Park
-  Local Nature Reserve
-  Marine Nature Reserve
-  National Nature Reserve
-  National Park
-  Nitrate Sensitive Area
-  Nitrate Vulnerable Zone
-  Ramsar Site
-  Site of Special Scientific Interest
-  Special Area of Conservation
-  Special Protection Area
-  World Heritage Sites

Site Sensitivity Context Map - Slice C



Order Details

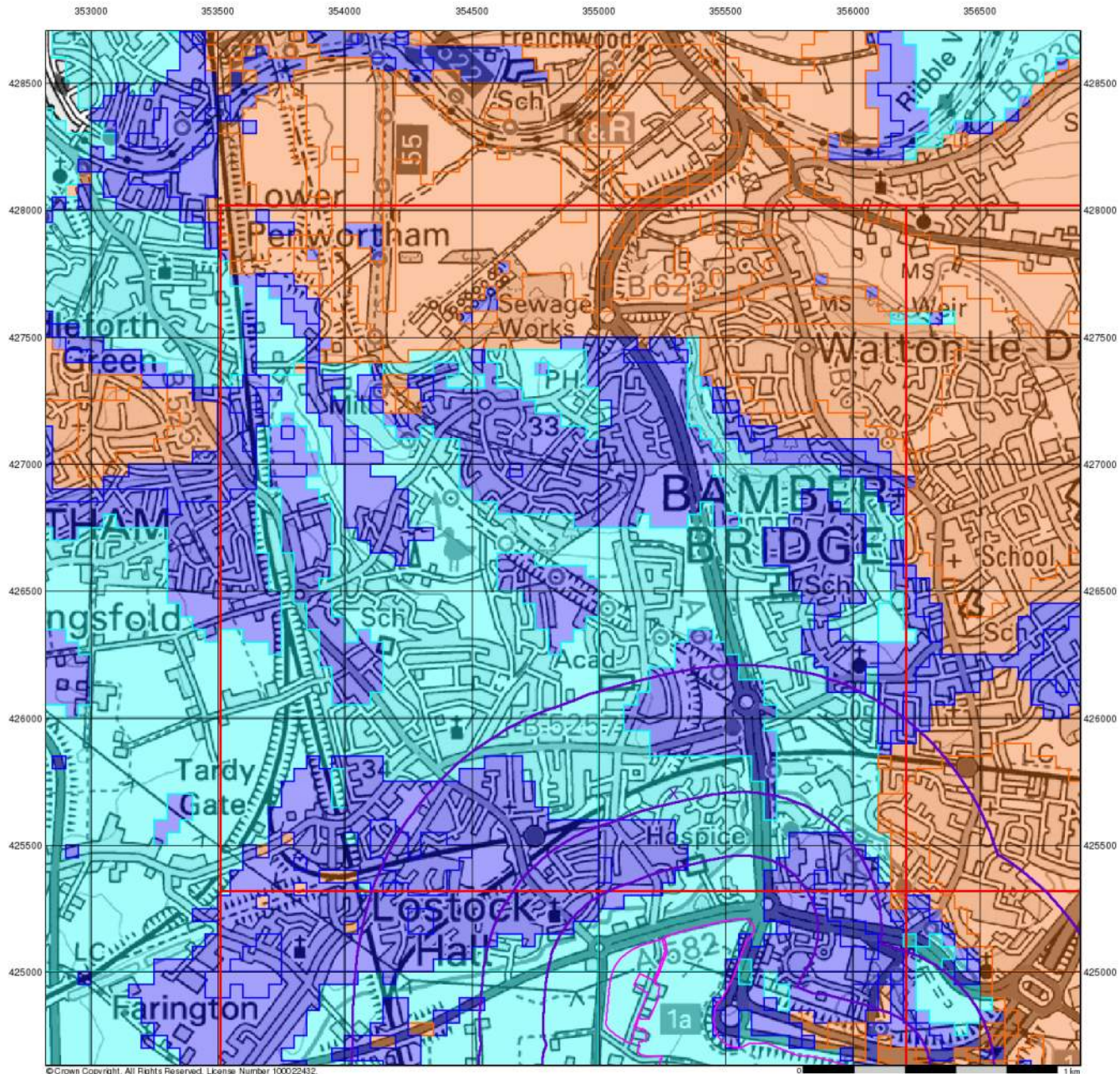
Order Number: 289775268_1_1
 Customer Ref: WIE11556-107
 National Grid Reference: 355290, 425700
 Slice: C
 Site Area (Ha): 61.13
 Search Buffer (m): 1000

Site Details

Site at 355440, 424740

Landmark
 INFORMATION GROUP

Tel: 0844 844 9952
 Fax: 0844 844 9951
 Web: www.envirocheck.co.uk



© Crown Copyright. All Rights Reserved. License Number 100022432.

Envirocheck[®]

LANDMARK INFORMATION GROUP[®]

BGS Flood GFS Data

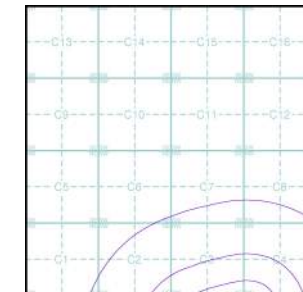
General

- Specified Site
- Specified Buffer(s)
- Bearing Reference Point
- Slice

Agency and Hydrological (Flood)

- Limited Potential for Groundwater Flooding to Occur
- Potential for Groundwater Flooding of Property Situated Below Ground Level
- Potential for Groundwater Flooding to Occur at Surface

Site Sensitivity Context Map - Slice C



Order Details

Order Number: 289775268_1_1
 Customer Ref: WIE11556-107
 National Grid Reference: 355290, 425700
 Slice: C
 Site Area (Ha): 61.13
 Search Buffer (m): 1000

Site Details

Site at 355440, 424740

Landmark[®]
 INFORMATION GROUP

Tel: 0844 844 9952
 Fax: 0844 844 9951
 Web: www.envirocheck.co.uk