








GENERAL NOTES

1. ALL STRUCTURES ARE NEW, UNLESS DENOTED AS EXISTING.
2. FOR ALL OTHER NOTES REFER TO DRG ENV000009C-JAC-ZZ-42A-DR-PL-0001 AREA 2A GENERAL ARRANGEMENT PLAN SHEET 1 OF 2.

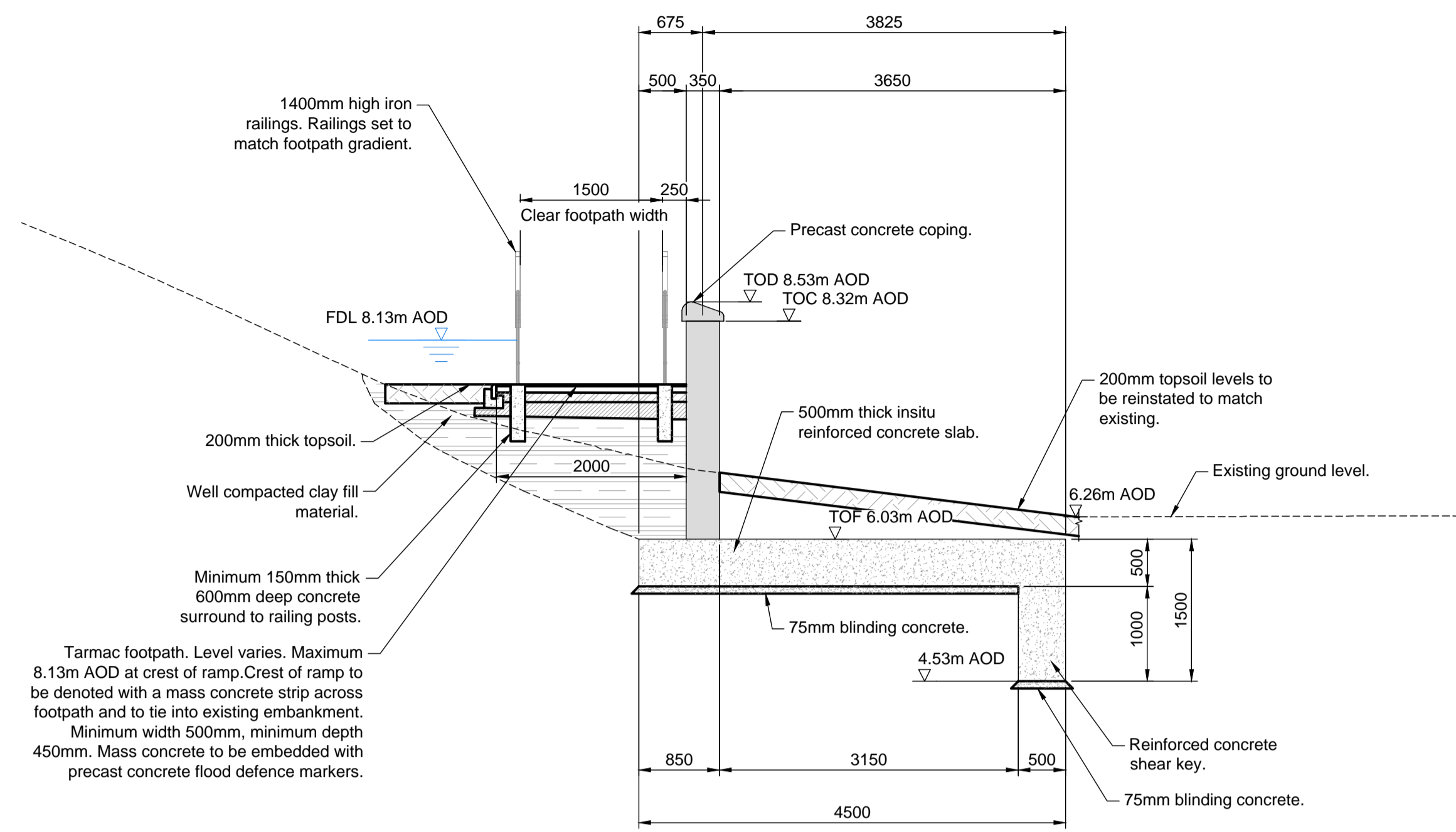
REFERENCES

1. DRG ENV000009C-JAC-ZZ-42A-DR-PL-0001 AREA 2A GENERAL ARRANGEMENT PLAN SHEET 1 OF 2.
2. DRG ENV000009C-JAC-DZ-42A-DR-PL-0002 AREA 2A SECTIONS AND DETAILS SHEET 2 OF 3.
3. DRG ENV000009C-JAC-ZZ-00-DR-PL-001/002 HIGHWAY TYPICAL DETAILS SHEET 1/2 OF 2.
4. DRG ENV000009C-JAC-DW-42X-DR-PL-0001 AREA 2 WALL TYPICAL DETAILS.

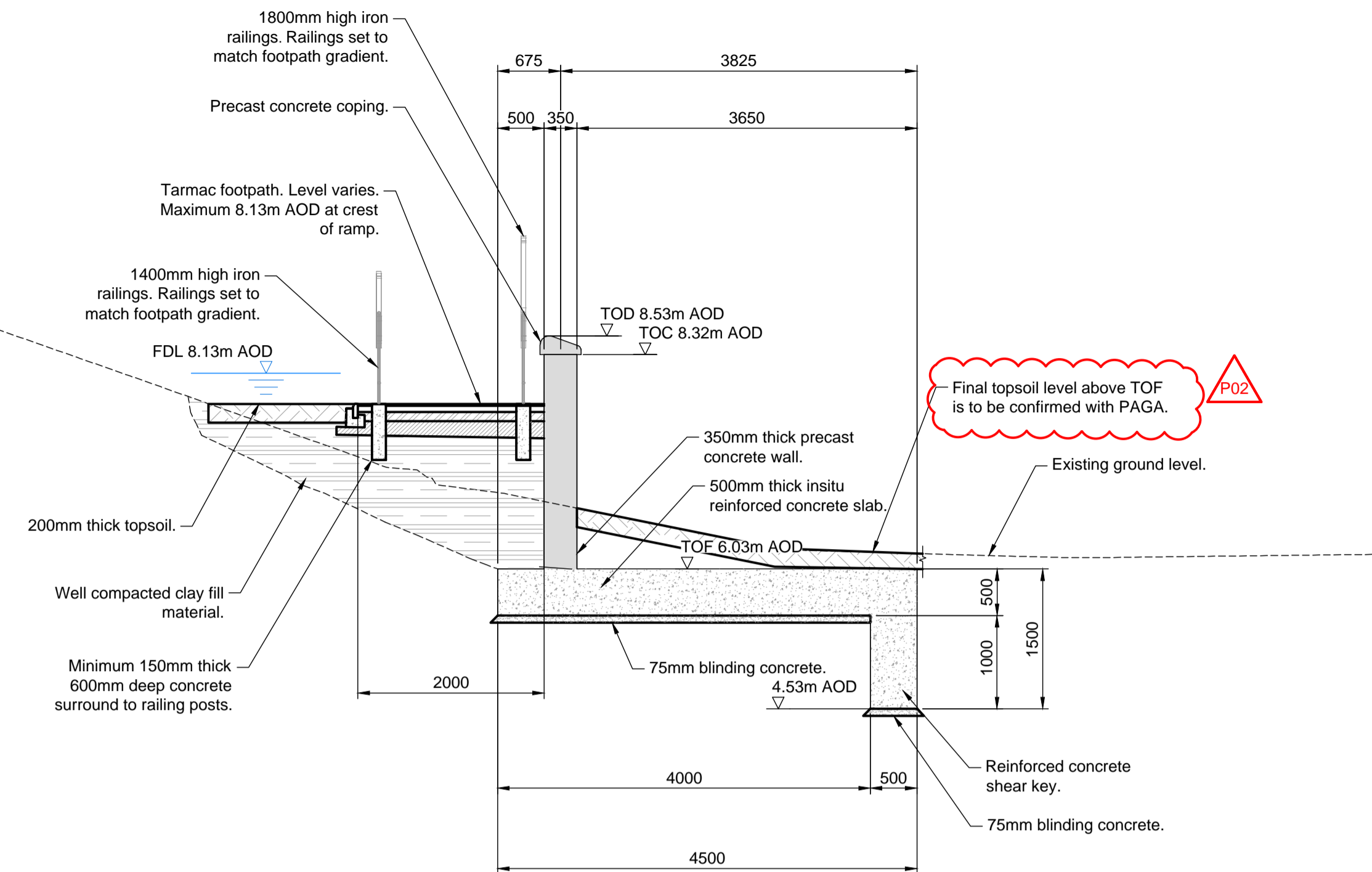
LEGEND

-  TOPSOIL
-  WELL COMPACTED CLAY FILL MATERIAL
-  REINFORCED CONCRETE
-  PRECAST CONCRETE
-  LANDSCAPE PLANTING/ALLOTMENT REINSTATEMENT
-  BLINDING CONCRETE
-  TARMAC SURFACE

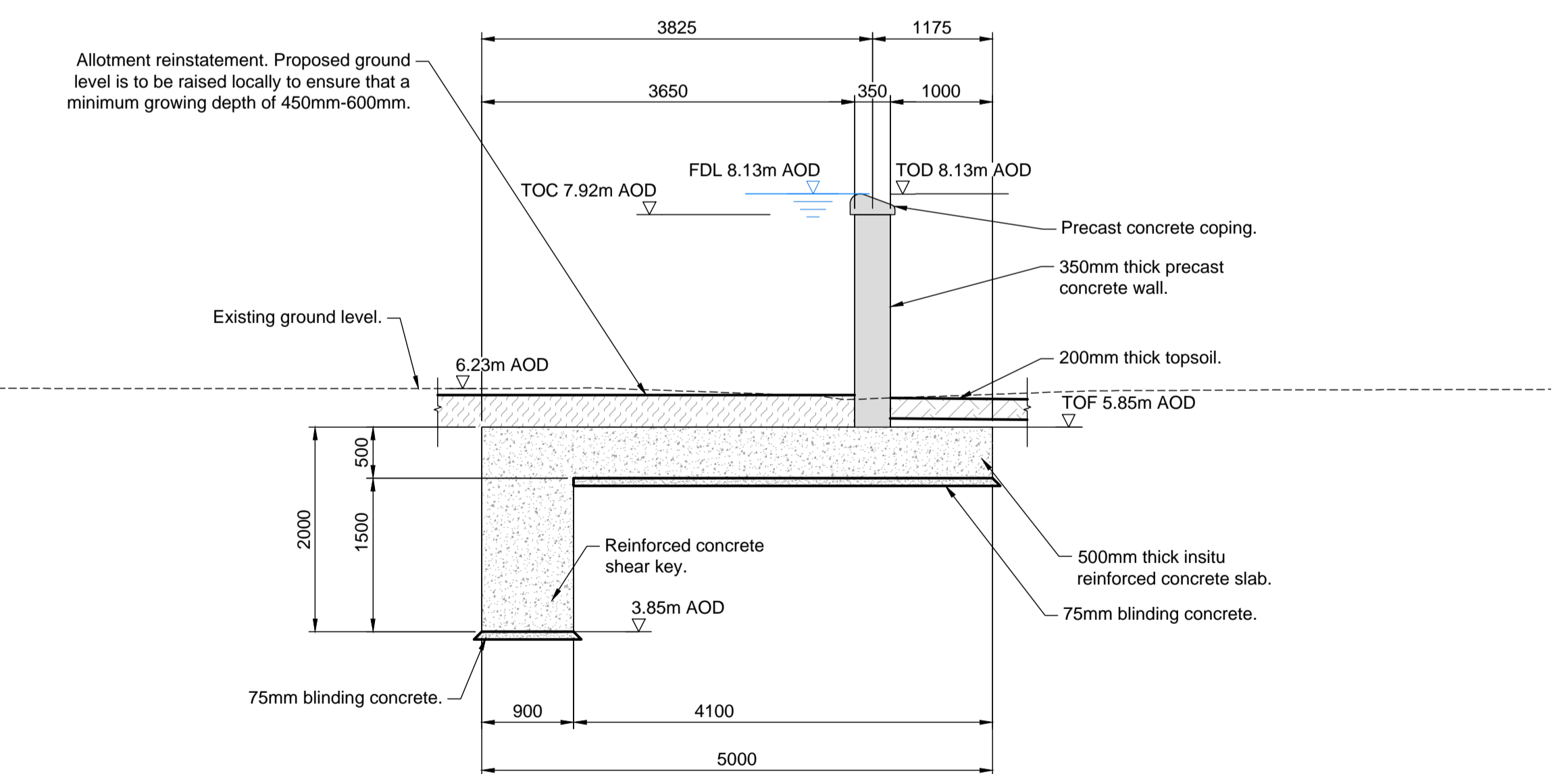
TOD= TOP OF DEFENCE
 TOC= TOP OF CONCRETE
 TOF= TOP OF FOUNDATION
 TOR= TOP OF RAILINGS
 FDL= FLOOD DEFENCE LEVEL



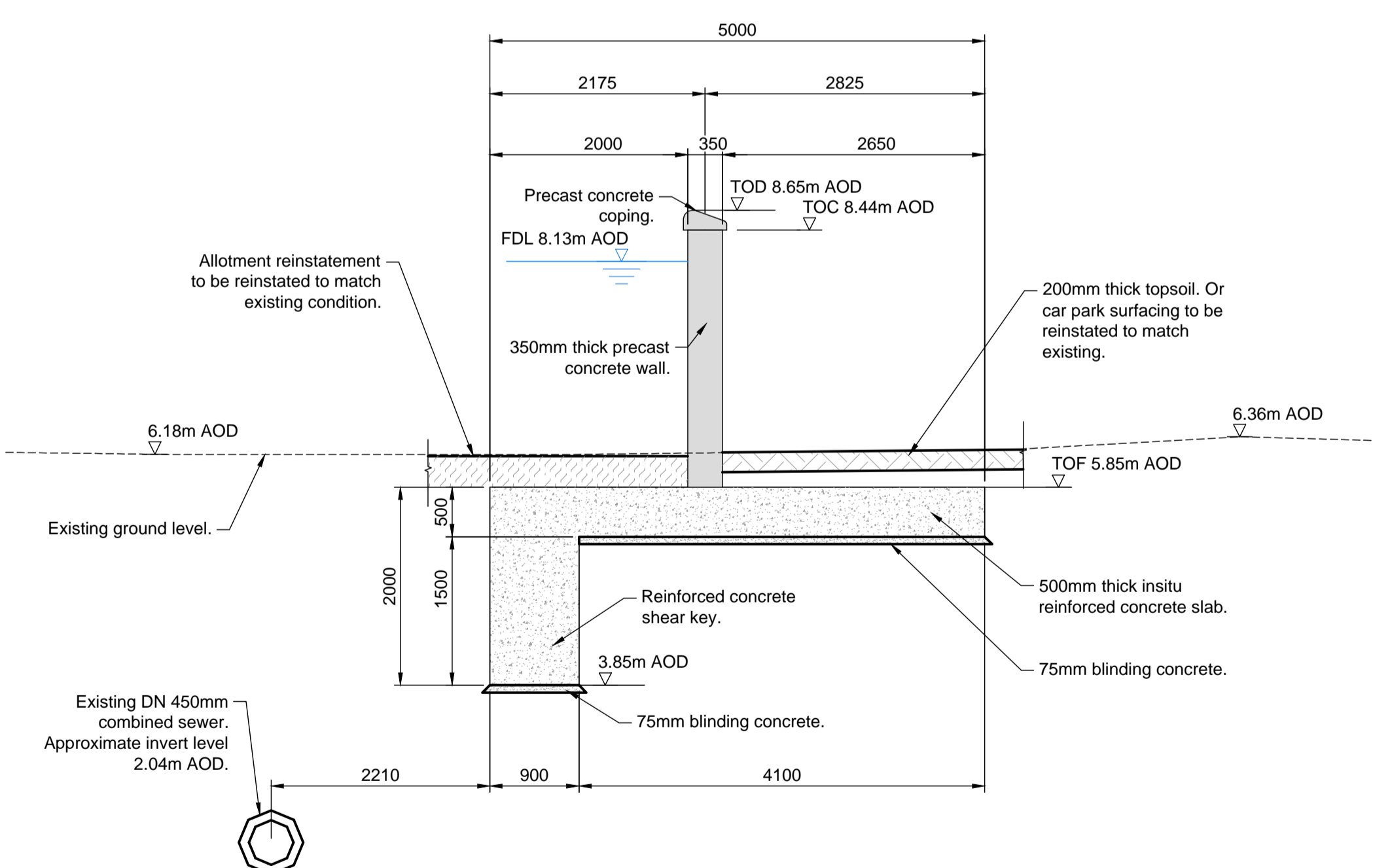
A-A Section A-A
 REF.1 SCALE 1:50



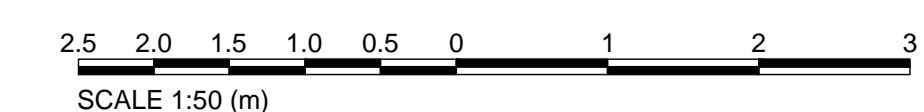
B-B Section B-B
 REF.1 SCALE 1:50



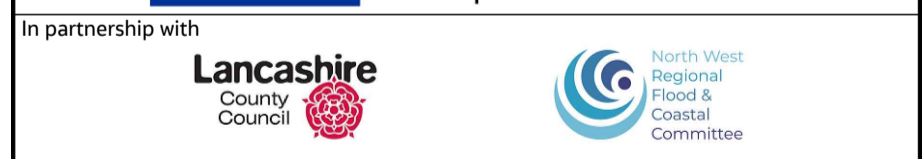
C-C Section C-C
 REF.1 SCALE 1:50



D-D Section D-D
 REF.1 SCALE 1:50



P02	2020-12-04	For Planning	MS	AR	NP	MW
P01	2020-11-16	For Planning	MS	CF	NP	MW
Rev	Rev. Date	Purpose of revision	Orig	Check'd	Rev'd	Apprv'd



Project: Preston & South Ribble Flood Risk Management Scheme
 Drawing title: Area 2A Sections and Details
 Sheet 1 of 3

Drawing status: S4 - Suitable for stage approval
 Suitability: S4
 Scale: 1:50 @ A1
 DO NOT SCALE
 Jacobs No.: B550B008
 Client No.: ENV000009C
 Rev: P02

Drawing number: ENV000009C-JAC-DZ-42A-DR-PL-0001

© Copyright 2020 Jacobs U.K. Limited. The concepts and information contained in this document are the property of Jacobs. Use or copying of this document in whole or in part without the written permission of Jacobs constitutes an infringement of copyright. Limitation: This drawing has been prepared on behalf of, and for the exclusive use of Jacobs Client, and is subject to, and issued in accordance with, the provisions of the contract between Jacobs and the Client. Jacobs accepts no liability or responsibility whatsoever for, or in respect of, any use of, or reliance upon, this drawing by any third party.

C:\pwworkdir\weenvagency\egiml_mstoga\lms07431\ENV000009C-JAC-DZ-42A-DR-PL-0001.dwg - 12/3/2020 12:55:34 PM - A1Frame - mstoga