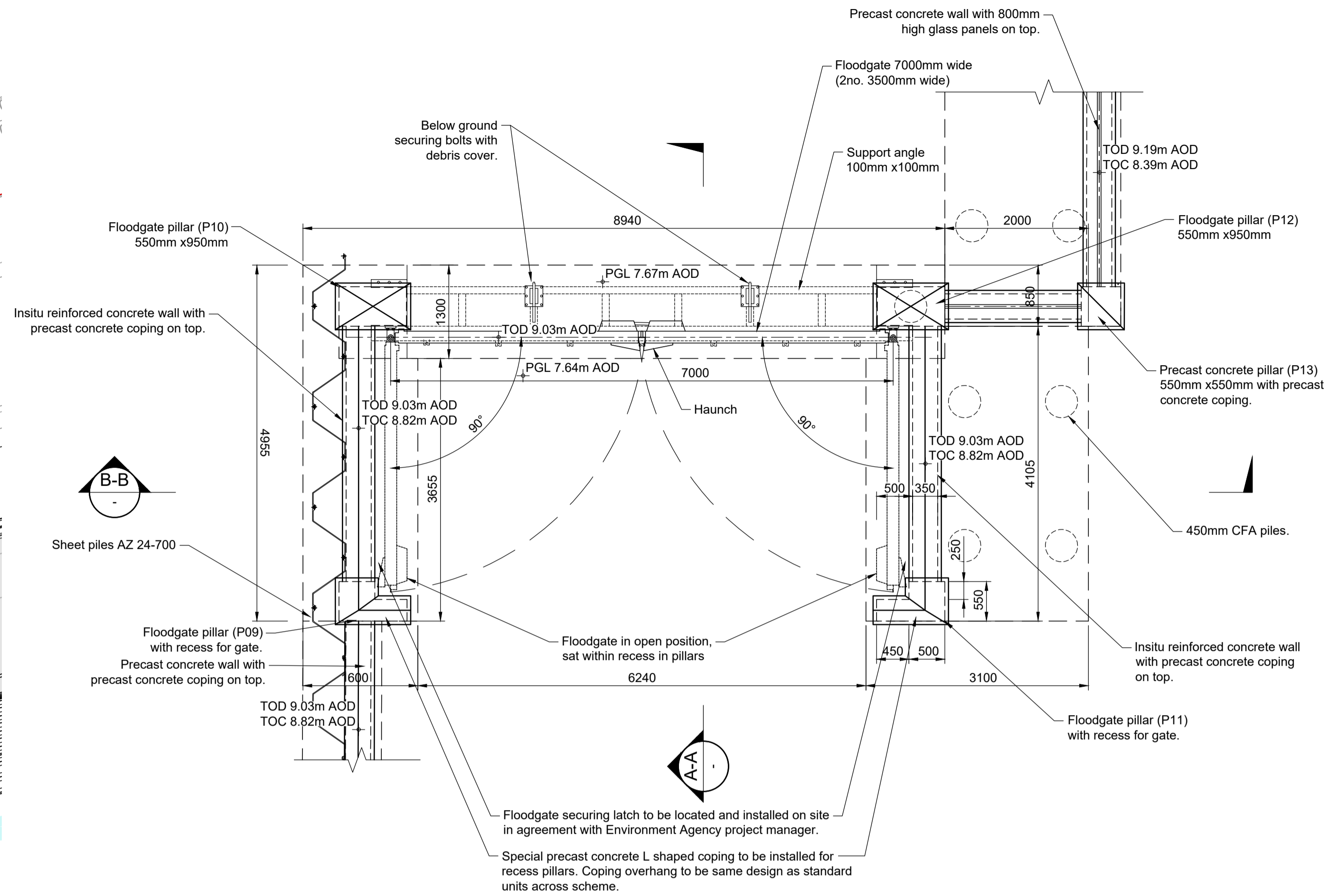
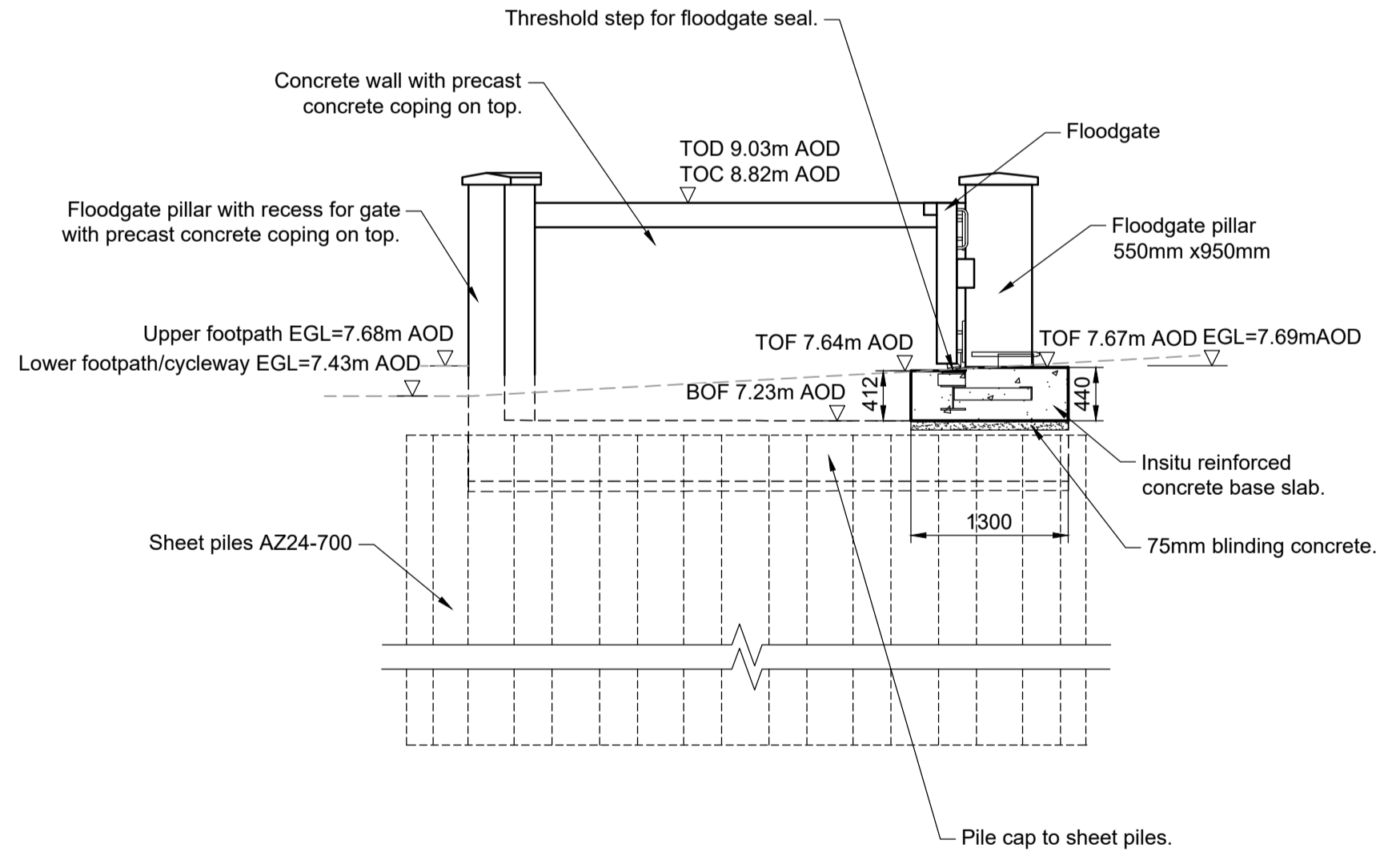


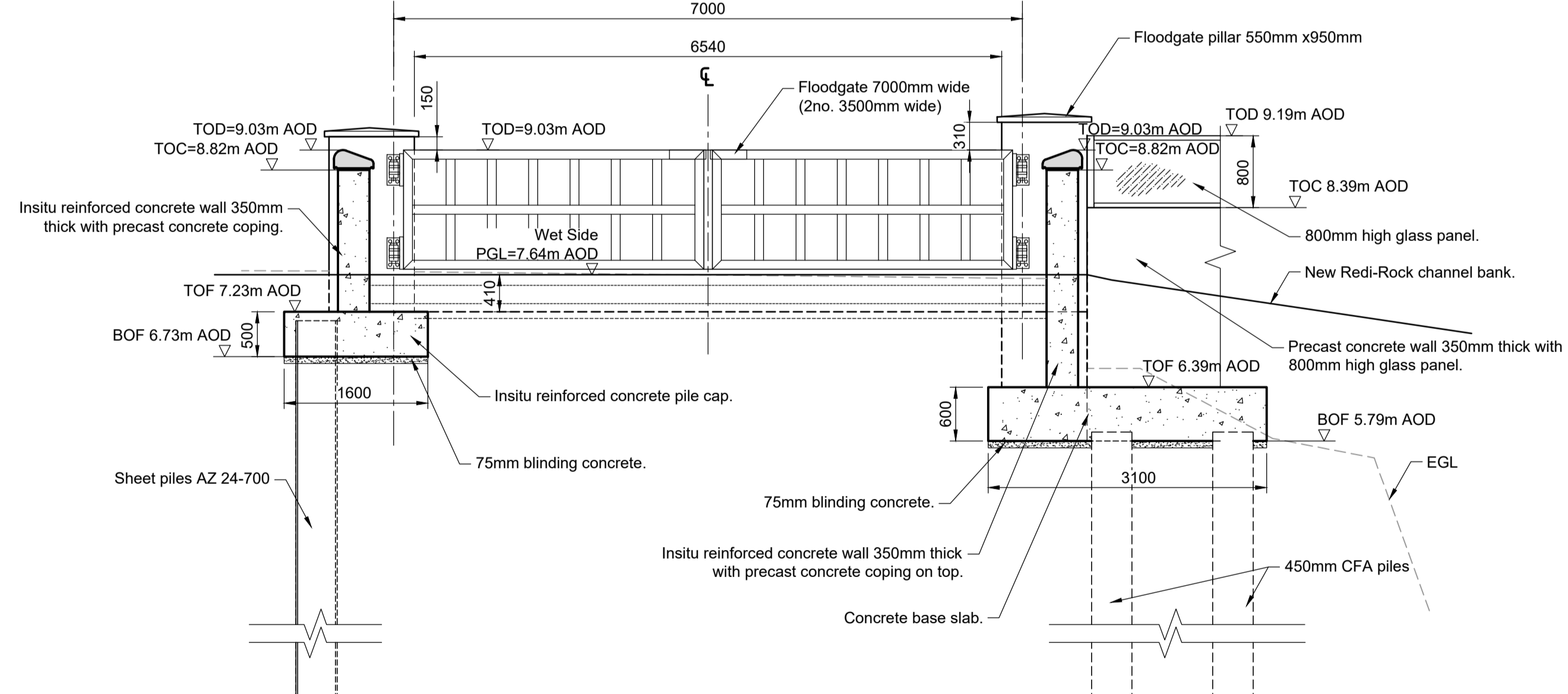
**1 Plan 1**  
SCALE 1:100



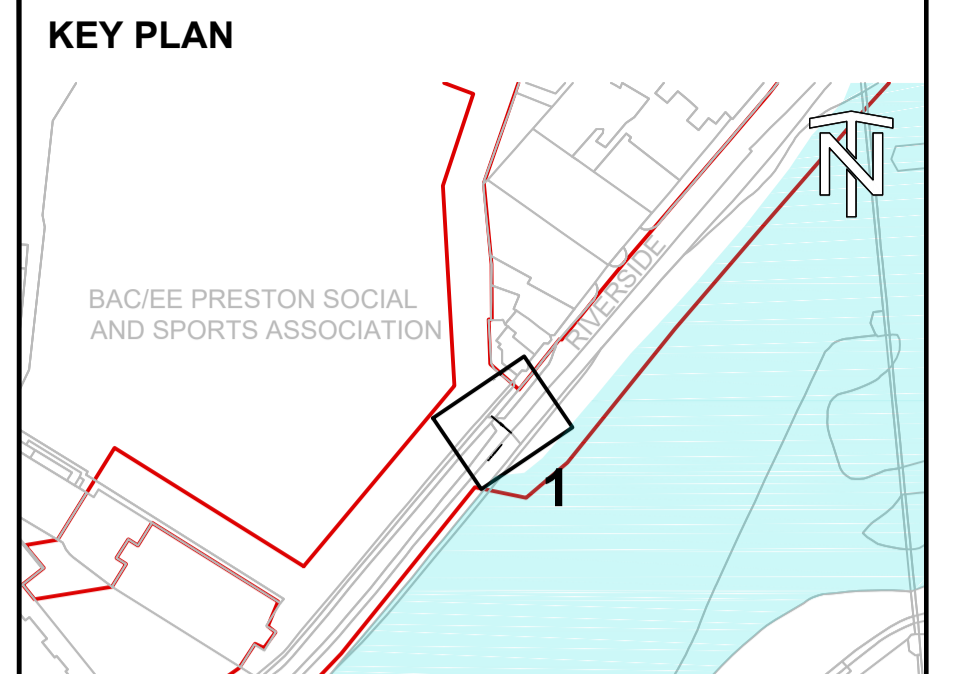
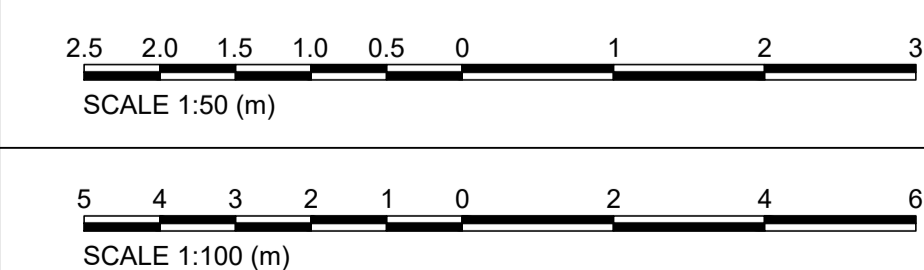
**2 Plan 2**  
SCALE 1:50



**3 Cross section A-A**  
SCALE 1:50



**4 Cross section B-B**  
SCALE 1:50



- GENERAL NOTES**
- ALL DIMENSIONS ARE IN MILLIMETRES UNLESS NOTED OTHERWISE.
  - ALL LEVELS ARE IN METRES ABOVE ORDNANCE DATUM.
  - 3M WIDTH SINGLE LEAF LOCKABLE PRESSURE TREATED TIMBER ACCESS GATE, TO BE INSTALLED WITH PRESSURE TREATED TIMBER POST AND RAIL FENCE, TO PREVENT UNAUTHORISED ACCESS TO TOP OF REDI-ROCK BANK. GATE TO HINGE ON POST LOCATED AT TOP OF REDI-ROCK BANK EDGE TO PROVIDE EDGE PROTECTION WHEN OPENED. GATE TO HAVE STOPPER FITTED TO PREVENT IT FROM OPENING BEYOND THE TOP OF THE REDI-ROCK BANK.

- REFERENCES**
- ENV000009C-JAC-ZZ-DR-PL-0001 AREA 1 SITE LOCATION PLAN.
  - ENV000009C-JAC-ZZ-41B-DR-PL-0001/0002/0003 AREA 1A GA PLAN SHEET 1/2/3 OF 3.
  - ENV000009C-JAC-DZ-41B-DR-PL-0001/0002/0003/0004 AREA 1B SECTIONS AND DETAILS SHEET 1/2/3/4 OF 4.
  - ENV000009C-JAC-DZ-41B-DR-PL-0005/0006/0007/0008/0009 AREA 1B LONGITUDINAL SECTION SHEET 1/2/3/4/5 OF 5.
  - ENV000009C-JAC-DF-41B-DR-PL-0001 AREA 1B FLOODGATE 1 PLAN AND SECTIONS.
  - ENV000009C-JAC-DW-41X-DR-PL-0001 AREA 1 WALL TYPICAL DETAILS.
  - ENV000009C-JAC-ZZ-00-DR-PL-0001 HIGHWAY TYPICAL DETAILS.
  - ENV000009C-JAC-DW-41X-DR-PL-0002/0003 AREA 1 TIE-IN DETAILS SHEET 1/2 OF 3.

- LEGEND**
- INSITU CONCRETE
  - PRECAST CONCRETE
  - GLASS PANEL
  - LAND REQUIRED TO UNDERTAKE DEVELOPMENT

TOD=TOP OF DEFENCE  
TOC=TOP OF CONCRETE  
TOF=TOP OF FOUNDATION  
BOF=BOTTOM OF FOUNDATION

P01	2020-11-16	For Planning	TP	APR	NP	NW
Rev	Rev. Date	Purpose of revision	Orig	Check'd	Rev'd	Apprv'd



Project: **Preston & South Ribble Flood Risk Management Scheme**  
Drawing title: **Area 1B Floodgate 2 Ribble Cottage Plan and Sections**

Drawing status	S4 - Suitable for stage approval	Suitability	S4
Scale	AS SHOWN @ A1	DO NOT SCALE	
Jacobs No.	B550B008	Rev	
Client No.	ENV000009C	Rev	P01

Drawing number: **ENV000009C-JAC-DF-41B-DR-PL-0002**  
© Copyright 2020 Jacobs U.K. Limited. The concepts and information contained in this document are the property of Jacobs. Use or copying of this document in whole or in part without the written permission of Jacobs constitutes an infringement of copyright. Limitation: This drawing has been prepared on behalf of, and for the exclusive use of Jacobs' Client, and is subject to, and issued in accordance with, the provisions of the contract between Jacobs and the Client. Jacobs accepts no liability or responsibility whatsoever for, or in respect of, any use of, or reliance upon, this drawing by any third party.

C:\pw\_workdir\weenvagency\legintL\_h038403\ums07431\ENV000009C-JAC-DF-41B-DR-PL-0002.dwg - 11/16/2020 15:42:24 PM - A1Frame - TK038403