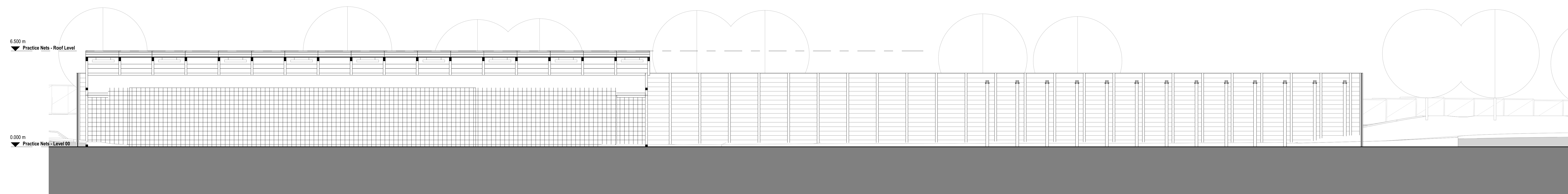
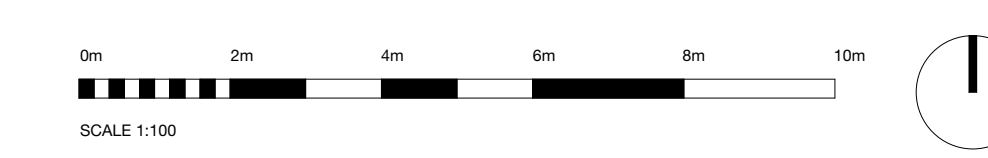
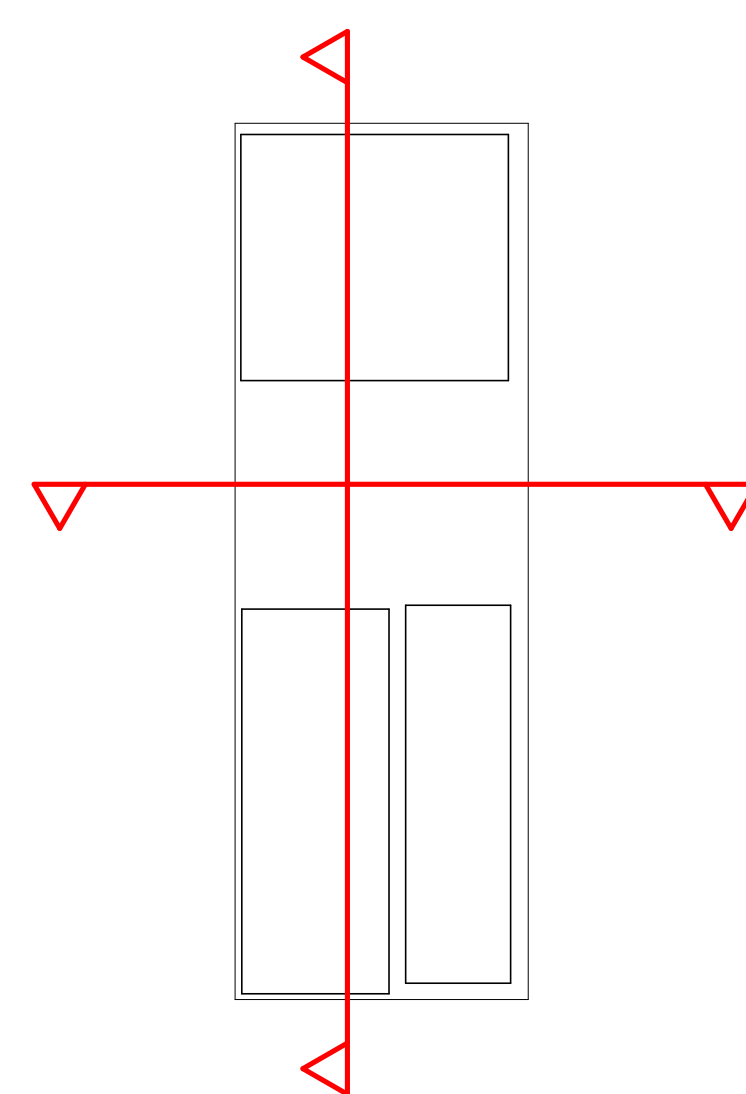


Practice Nets - Cross Section
1 : 100



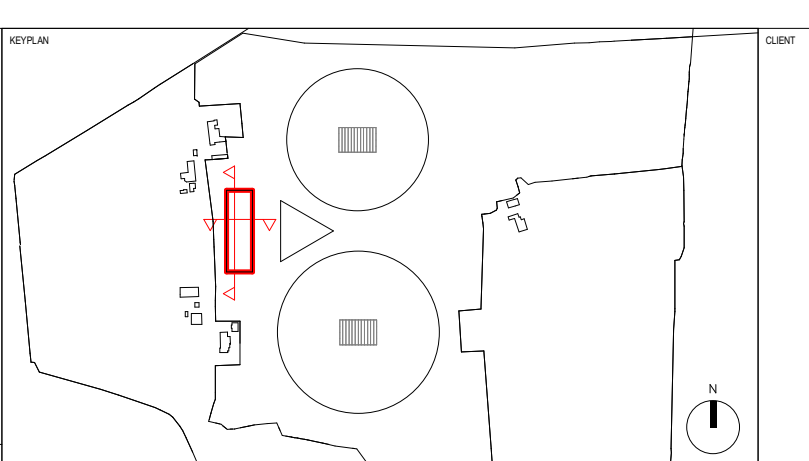
Practice Nets - Long Section
1 : 100



BUILDING DESIGN PARTNERSHIP SHALL HAVE NO RESPONSIBILITY FOR ANY USE MADE OF THIS DOCUMENT OTHER THAN THAT FOR WHICH IT WAS PREPARED AND ISSUED.
ALL DIMENSIONS SHOULD BE CHECKED ON SITE.
DO NOT SCALE FROM THIS DRAWING.
ANY DRAWING ERRORS OR DISCREPANCIES SHOULD BE BROUGHT TO THE ATTENTION OF BUILDING DESIGN PARTNERSHIP AT THE ADDRESS SHOWN BELOW.
DRAWINGS SHALL BE READ IN CONJUNCTION WITH THE FOLLOWING BEFORE WORK COMMENCES:
• THE CON DESIGN ISSUES REGISTER
• THE BDP RISK SERIES OF DRAWINGS
• THE PROJECT CON RISK REGISTER

NOTES

NO.	DESCRIPTION	DATE	BY	CHECKED
001	Issue for Information	17/12/21	[Signature]	[Signature]
002	Issue for Design	17/12/21	[Signature]	[Signature]
003	Issue for Construction	17/12/21	[Signature]	[Signature]
004	Issue for As-Built	17/12/21	[Signature]	[Signature]



11 Ducie Street
PO Box 65
Piccadilly Basin
Manchester
M60 3JX
United Kingdom
T +44 (0)161 828 2200
www.bdp.com



Woodcock Estate	
P3000932	SCALE @ A0
Practice Nets - Sections	1 : 100
17/12/21	DATE
210002-BDP-ZZ-XX-DR-A-001002	P09